

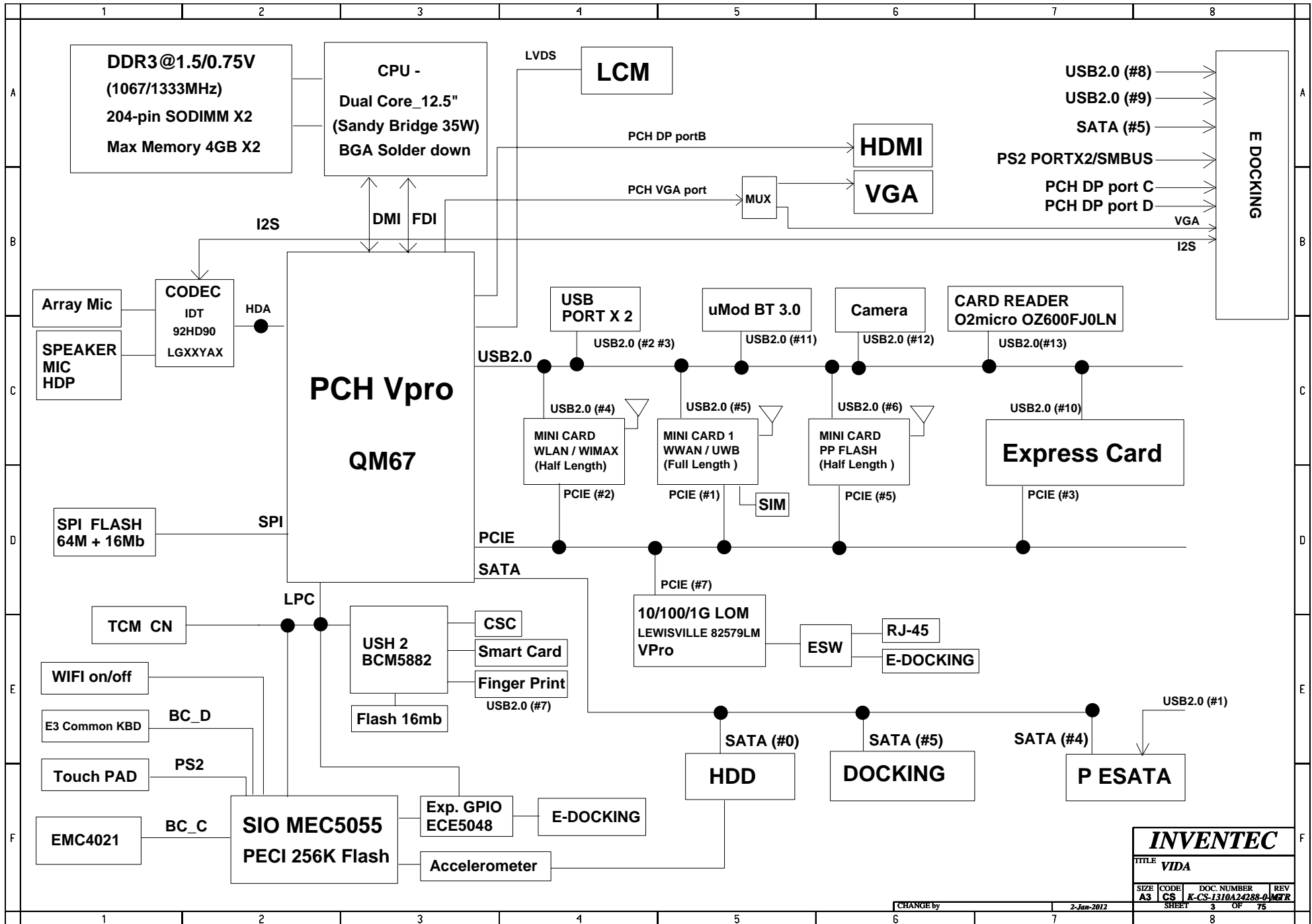
	8	7	6	5	4	3	2	1																																																																			
F	<p>THIS DRAWING AND SPECIFICATIONS, HEREIN, ARE THE PROPERTY OF INVENTEC CORPORATION AND SHALL NOT BE REPRODUCED, COPIED, OR USED IN WHOLE OR IN PART AS THE BASIS FOR THE MANUFACTURE OR SALE OF ITEMS WITHOUT WRITTEN PERMISSION, INVENTEC CORPORATION 2009 ALL RIGHT RESERVED</p>									F																																																																	
E	<p>HSF Property : Halogen-Free</p>									E																																																																	
D	<h1>VIDA</h1> <h1>X BUILD (A01-001)</h1> <p style="text-align: right; font-size: 1.2em;">2012/02/17</p>									D																																																																	
C										C																																																																	
B										B																																																																	
A	<table border="1"> <tr> <td>2011-ECO-026192</td> <td>G</td> </tr> <tr> <td>2011-ECO-019745</td> <td>F</td> </tr> <tr> <td>2011-ECO-019449</td> <td>E</td> </tr> <tr> <td>2011-ECO-016214</td> <td>D</td> </tr> <tr> <td>2011-ECO-006007</td> <td>C</td> </tr> <tr> <td>2011-ECO-005952</td> <td>B</td> </tr> <tr> <td>2011-ECO-0162114</td> <td>A</td> </tr> <tr> <td>DATE</td> <td>CHANGE NO.</td> <td>REV</td> </tr> <tr> <td>8</td> <td></td> <td>7</td> </tr> </table>		2011-ECO-026192	G	2011-ECO-019745	F	2011-ECO-019449	E	2011-ECO-016214	D	2011-ECO-006007	C	2011-ECO-005952	B	2011-ECO-0162114	A	DATE	CHANGE NO.	REV	8		7	<p><small>PROPRIETARY NOTE: THIS SHEET OF ENGINEERING DRAWING AND SPECIFICATIONS CONTAINS CONFIDENTIAL TRADE SECRET AND OTHER PROPRIETARY INFORMATION OF DELL INC. ("DELL") THIS DOCUMENT MAY NOT BE TRANSFERRED OR COPIED WITHOUT THE EXPRESS WRITTEN AUTHORIZATION OF DELL. IN ADDITION, NEITHER THIS SHEET NOR THE INFORMATION IT CONTAINS MAY BE USED BY OR DISCLOSED TO ANY THIRD PARTY WITHOUT DELL'S EXPRESS WRITTEN CONSENT.</small></p>			<table border="1"> <tr> <td>DRAWER</td> <td>EE</td> <td>DATE</td> <td>POWER</td> <td>DATE</td> </tr> <tr> <td>DESIGN</td> <td></td> <td></td> <td></td> <td></td> </tr> <tr> <td>CHECK</td> <td></td> <td></td> <td></td> <td></td> </tr> <tr> <td>RESPONSIBLE</td> <td></td> <td></td> <td></td> <td></td> </tr> <tr> <td>SIZE =</td> <td colspan="2">3</td> <td>VER :</td> <td>A02</td> </tr> <tr> <td>FILE NAME :</td> <td colspan="4"></td> </tr> <tr> <td>P/N</td> <td colspan="2">6050A.2428801</td> <td></td> <td></td> </tr> </table>				DRAWER	EE	DATE	POWER	DATE	DESIGN					CHECK					RESPONSIBLE					SIZE =	3		VER :	A02	FILE NAME :					P/N	6050A.2428801				<p style="text-align: right;">DELL CONFIDENTIAL/PROPRIETARY</p> <p style="text-align: center; font-size: 1.5em; font-weight: bold;">INVENTEC</p> <p style="text-align: center;">TITLE VIDA</p> <table border="1"> <tr> <td>SIZE</td> <td>CODE</td> <td>DOC. NUMBER</td> <td>REV</td> </tr> <tr> <td>A3</td> <td>CS</td> <td>K-CS-1310A24288-0-MTR</td> <td>G</td> </tr> </table>		SIZE	CODE	DOC. NUMBER	REV	A3	CS	K-CS-1310A24288-0-MTR	G	A
2011-ECO-026192	G																																																																										
2011-ECO-019745	F																																																																										
2011-ECO-019449	E																																																																										
2011-ECO-016214	D																																																																										
2011-ECO-006007	C																																																																										
2011-ECO-005952	B																																																																										
2011-ECO-0162114	A																																																																										
DATE	CHANGE NO.	REV																																																																									
8		7																																																																									
DRAWER	EE	DATE	POWER	DATE																																																																							
DESIGN																																																																											
CHECK																																																																											
RESPONSIBLE																																																																											
SIZE =	3		VER :	A02																																																																							
FILE NAME :																																																																											
P/N	6050A.2428801																																																																										
SIZE	CODE	DOC. NUMBER	REV																																																																								
A3	CS	K-CS-1310A24288-0-MTR	G																																																																								
	8	7	6	5	4	3	2	1																																																																			

TABLE OF CONTENTS

PAGE	PAGE	PAGE
1. Cover Page	31. PCH 1	59. CRT CONN
2. Index	32. PCH 2	60. LCM CONN
3. 12.5 UMA Block Diagram	33. PCH 3	61. HDMI
4. Blank	34. PCH 4	62. LED
5. SMB Diagram	35. PCH 5	63. EXPRESS CARD
6. Power Block Diagram	36. PCH 6	64. CARD READER OZ600FJOLN
7. Power on Sequence	37. PCH 7 POWER	65. KB CONN & TP
8. Power	38. PCH 8 POWER	66. Power Button / RF switch / Hall Sensor
9. UMA Power Charger	39. PCH 9 GND	67. E DOCKING/LAN MUX/VGA MUX
10.UMA Power AC IN	40. BLANK	68. TCM
11.UMA Power Battery	41. SATA HDD	69. SCREW
12.UMA Power +3A/+5A	42. USB & ESATA	70. EMI
13.UMA Power +V1.5/+V0.75S	43. USB Conn	DB
14.UMA Power VCCP/+V1.05_LAN_M	44. Blue Tooth	71. Cover Page
15.UMA Power +V0.85S/+V1.8S	45. EC 5055	72. BIOS BOARD
16.UMA VGFX_CORE	46. Expander ECE5048	73. HALLSENSOR BOARD
17.UMA Power VCORE	47. AUDIO CODEC	74. WLAN SW BOARD
18.UMA Power +V3S/+V5S/+V1.5S	48. MDC/Speaker/Jack	75. SPI BOARD
19.UMA Power	49. LAN 82579LM	
20.UMA Power	50. RJ45/Transformer	
21. CPU 1	51. WLAN	
22. CPU 2	52. WWAN	
23. CPU 3 DRAM	53. FLASH PP	
24. CPU 4 POWER	54. SIM CARD	
25. CPU 5 POWER	55. G SENSOR	
26. CPU 6 GND	56. BCM5882	
27. ITP CONN	57. BCM5882	
28. FAN & THERMAL	58. FP/ RFID / SM card	
29. DDR3 DIMM0		
30. DDR3 DIMM1		

INVENTEC			
TITLE VIDA INDEX			
SIZE A3	CODE CS	DOC. NUMBER K-CS-1310A24288-0-MTRG	REV
SHEET		OF	
2		75	

CHANGE by 2-Jan-2012



INVENTEC			
TITLE VIDA			
SIZE A3	CODE CS	DOC. NUMBER K-CS-1310A24288-0	REV MGR
CHANGE by		2-Jan-2012	3 OF 75

	1	2	3	4	5	6	7	8	
A									A
B									B
C									C
D									D
E									E
F									F
	1	2	3	4	5	6	7	8	

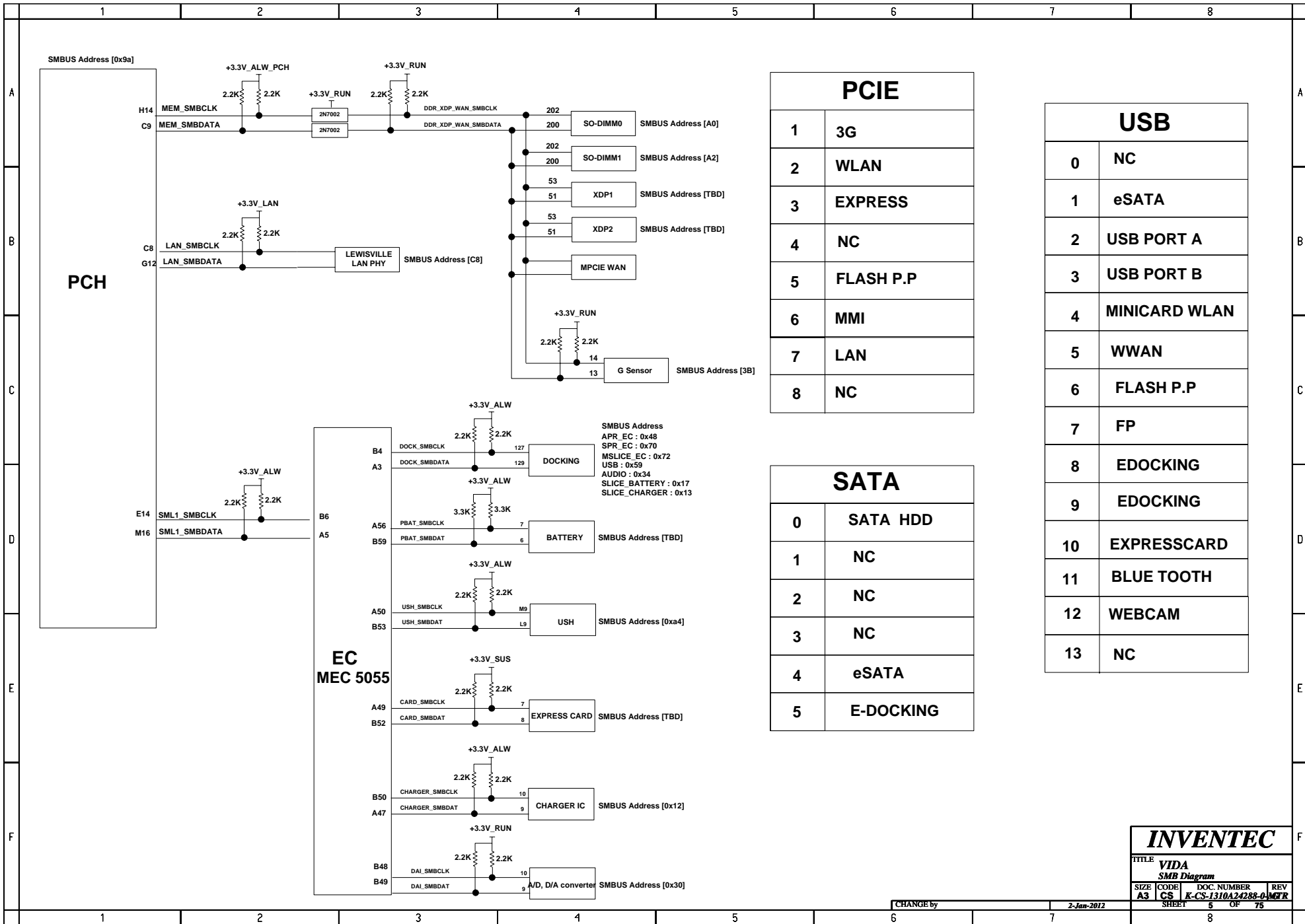
INVENTEC

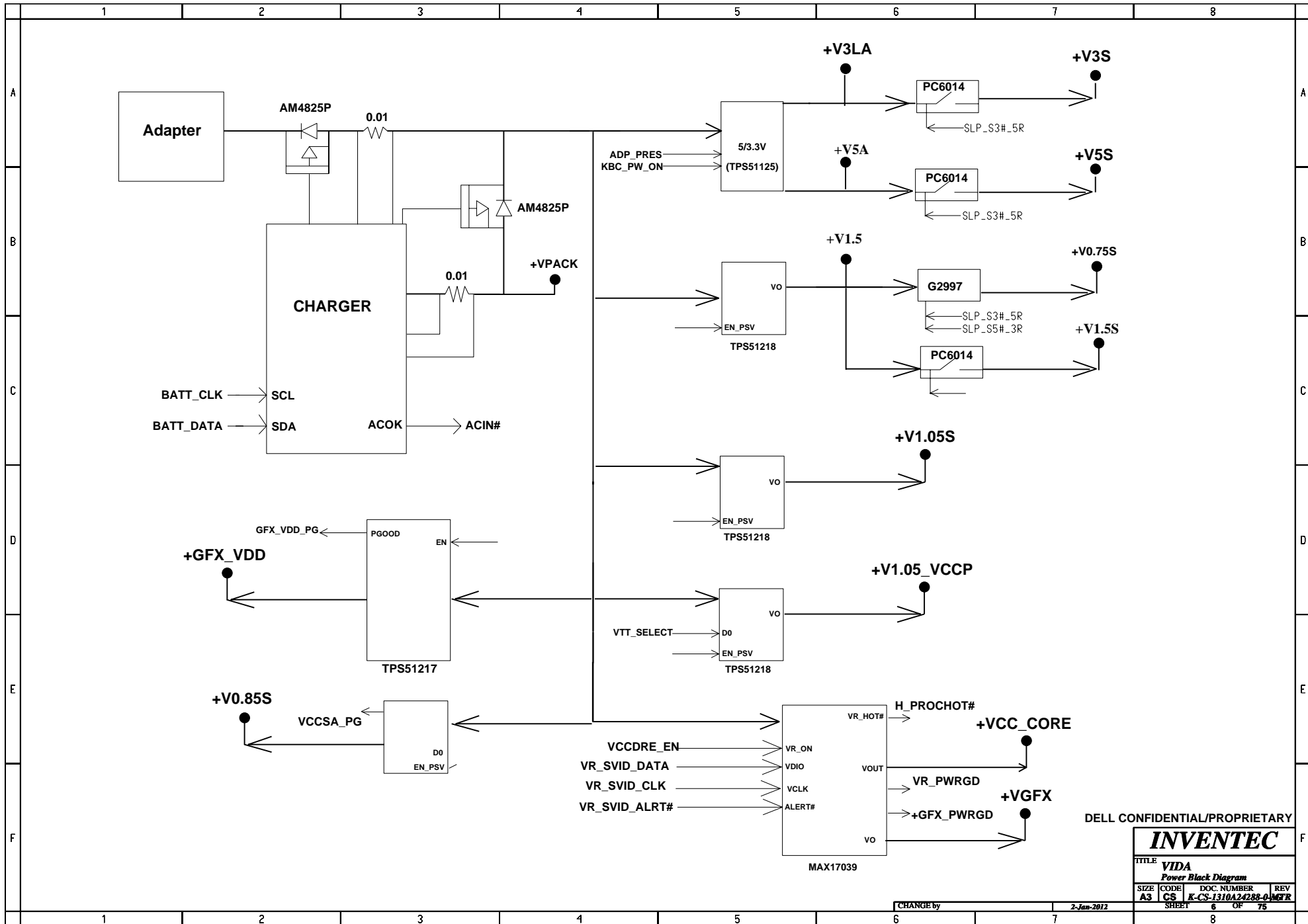
TITLE **VIDA**

SIZE	CODE	DOC. NUMBER	REV
A3	CS	K-CS-1310A24288-01	MTR

CHANGE by 2-Jan-2012

SHEET	4	OF	75
-------	---	----	----



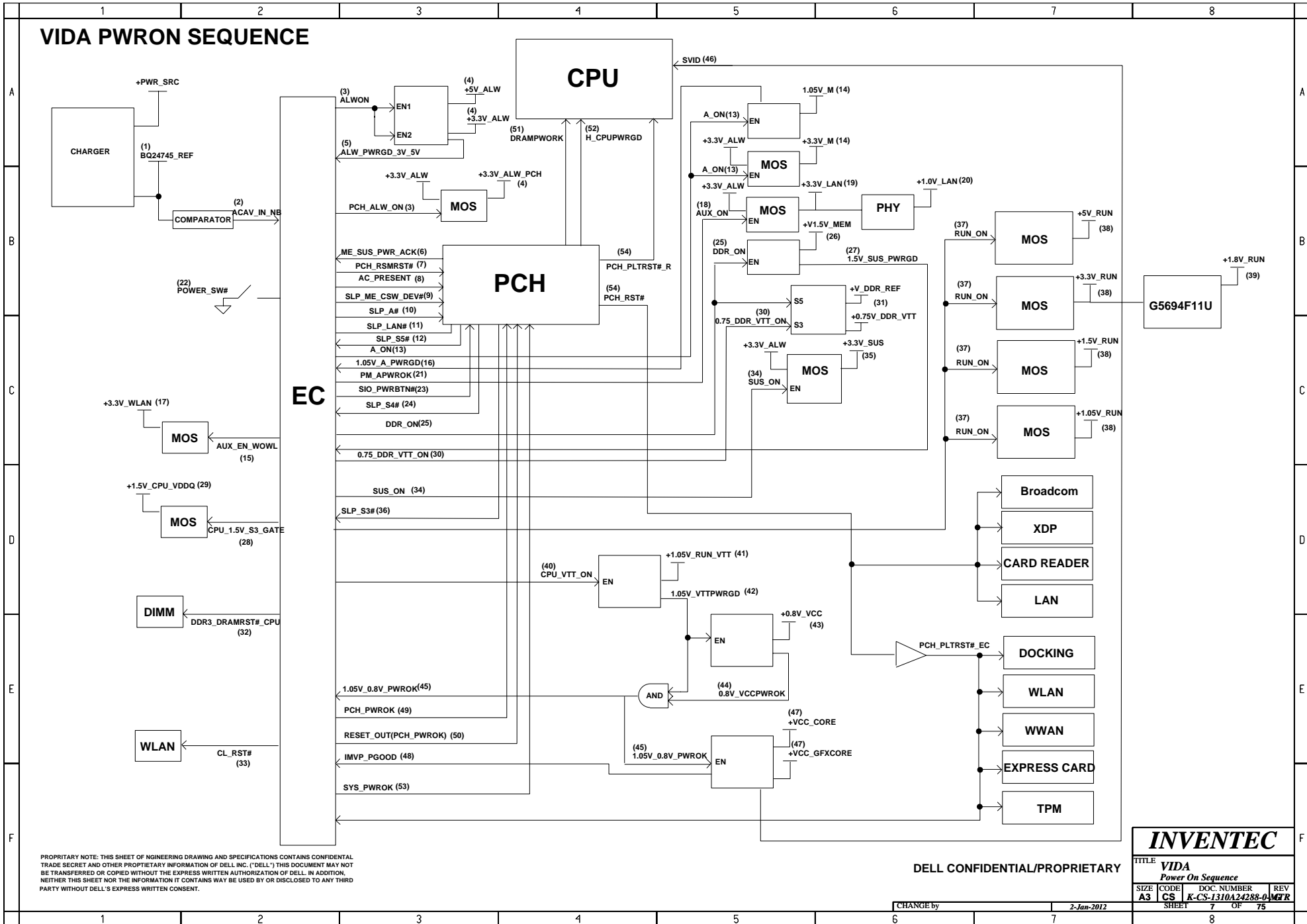


DELL CONFIDENTIAL/PROPRIETARY

INVENTEC

TITLE VIDA Power Block Diagram			
SIZE A3	CODE CS	DOC. NUMBER K-CS-1310A24288-0	REV 6
CHANGE by		2-Jan-2012	6 OF 75

VIDA PWRON SEQUENCE

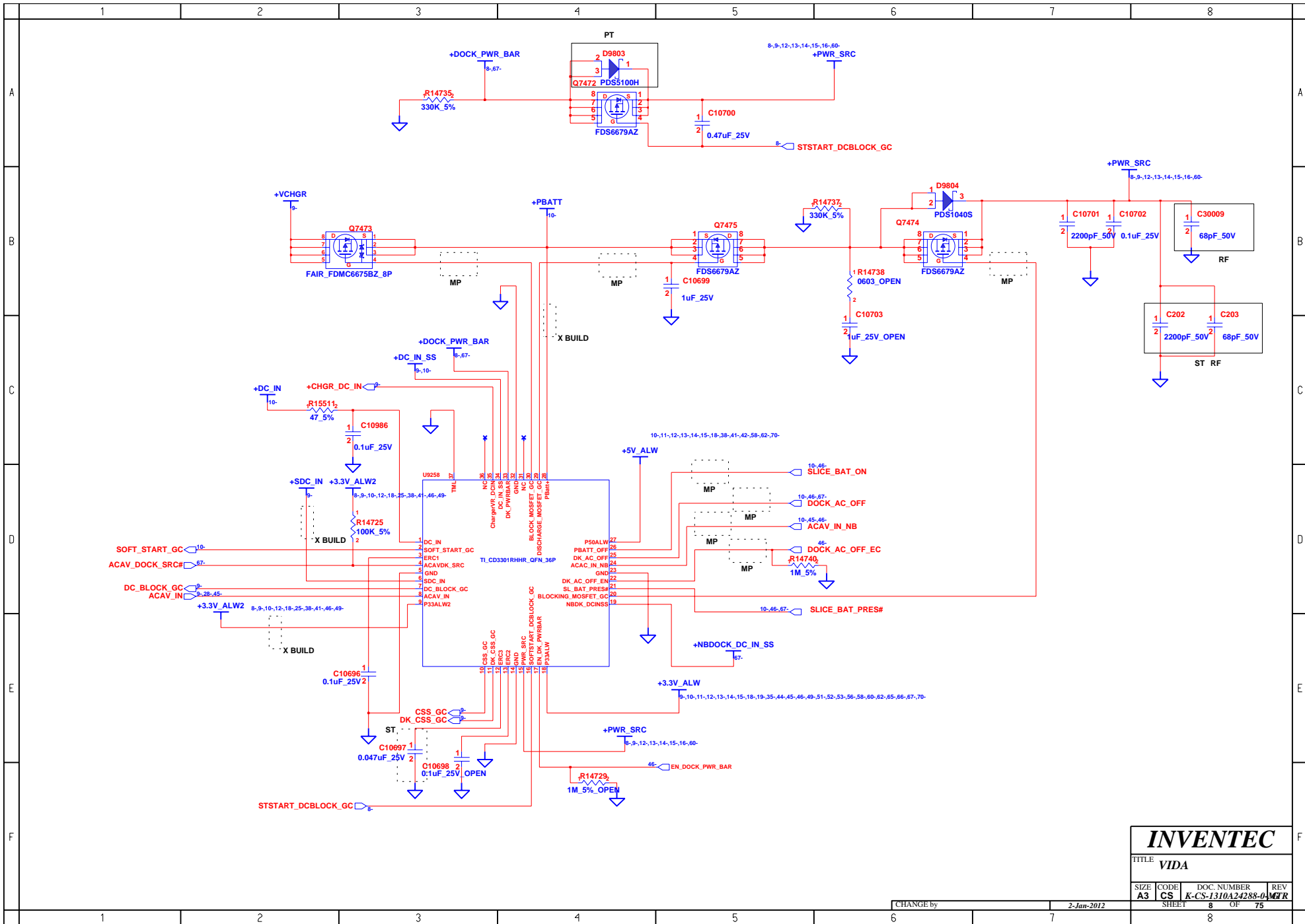


PROPRIETARY NOTE: THIS SHEET OF ENGINEERING DRAWING AND SPECIFICATIONS CONTAINS CONFIDENTIAL TRADE SECRET AND OTHER PROPRIETARY INFORMATION OF DELL INC. ("DELL"). THIS DOCUMENT MAY NOT BE TRANSFERRED OR COPIED WITHOUT THE EXPRESS WRITTEN AUTHORIZATION OF DELL. IN ADDITION, NEITHER THIS SHEET NOR THE INFORMATION IT CONTAINS MAY BE USED BY OR DISCLOSED TO ANY THIRD PARTY WITHOUT DELL'S EXPRESS WRITTEN CONSENT.

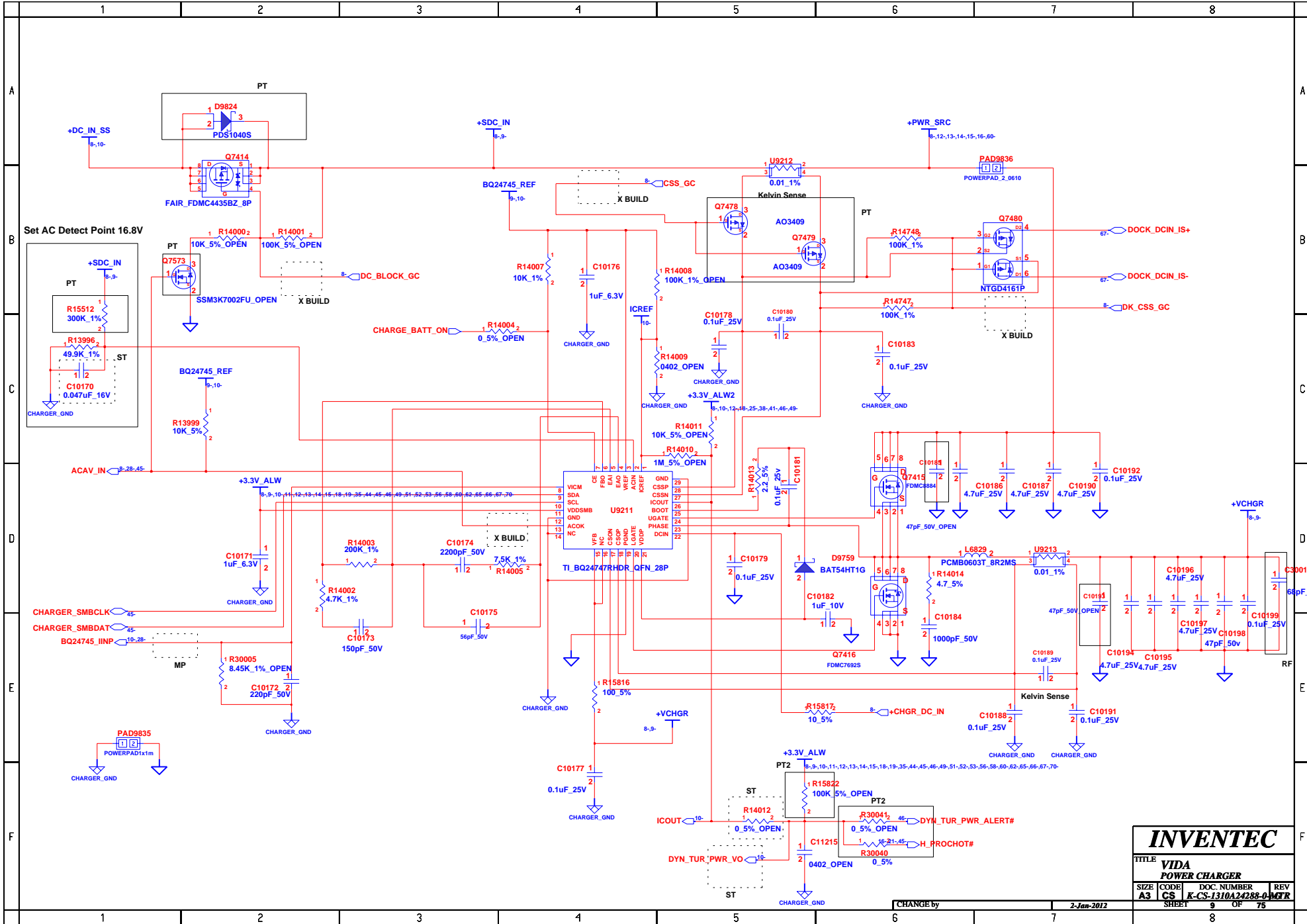
DELL CONFIDENTIAL/PROPRIETARY

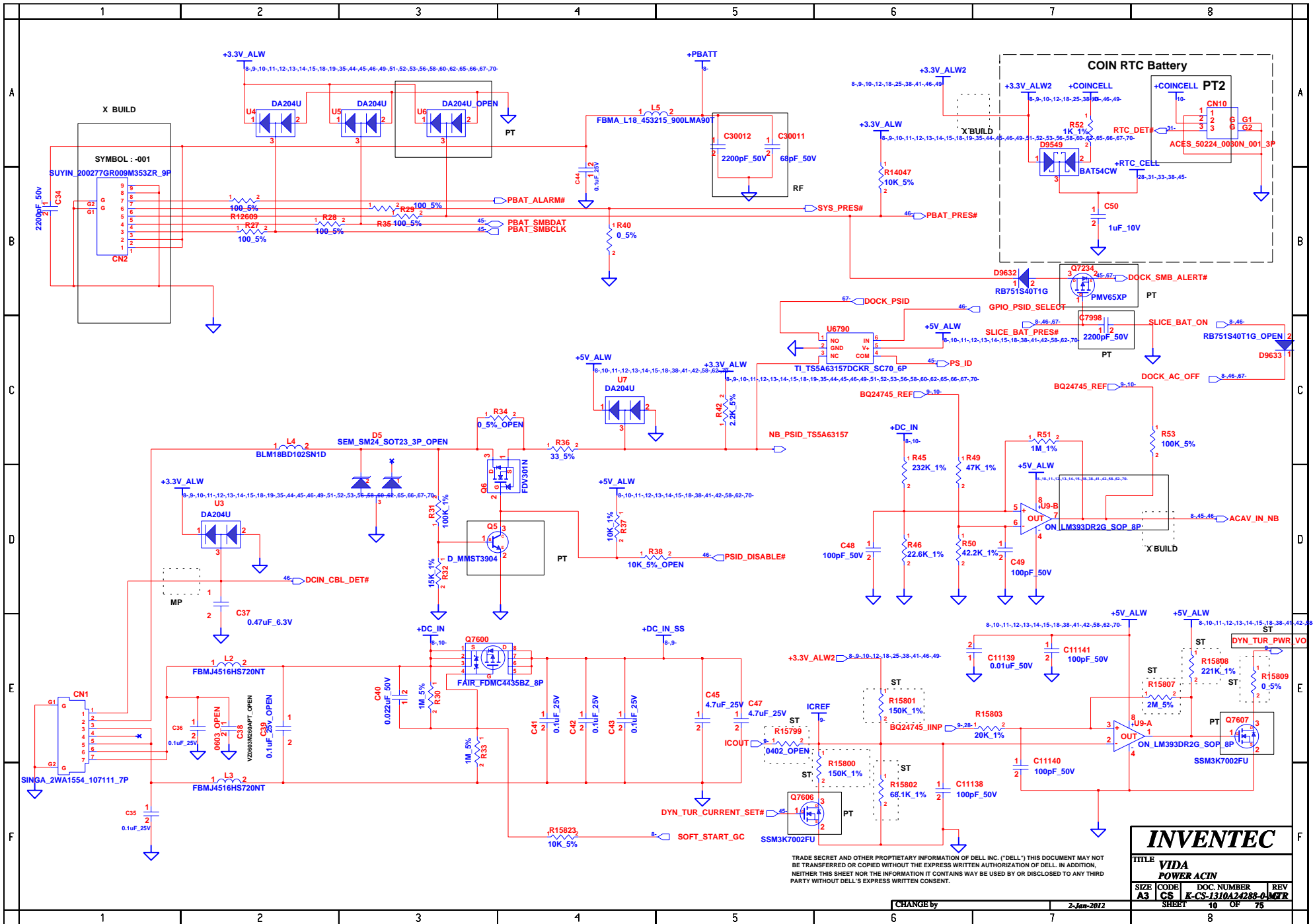
INVENTEC			
TITLE: VIDA			
Power On Sequence			
SIZE: A3	CODE: CS	DOC. NUMBER: K-CS-1310A24288-0	REV: MGR
SHEET: 7		OF: 75	

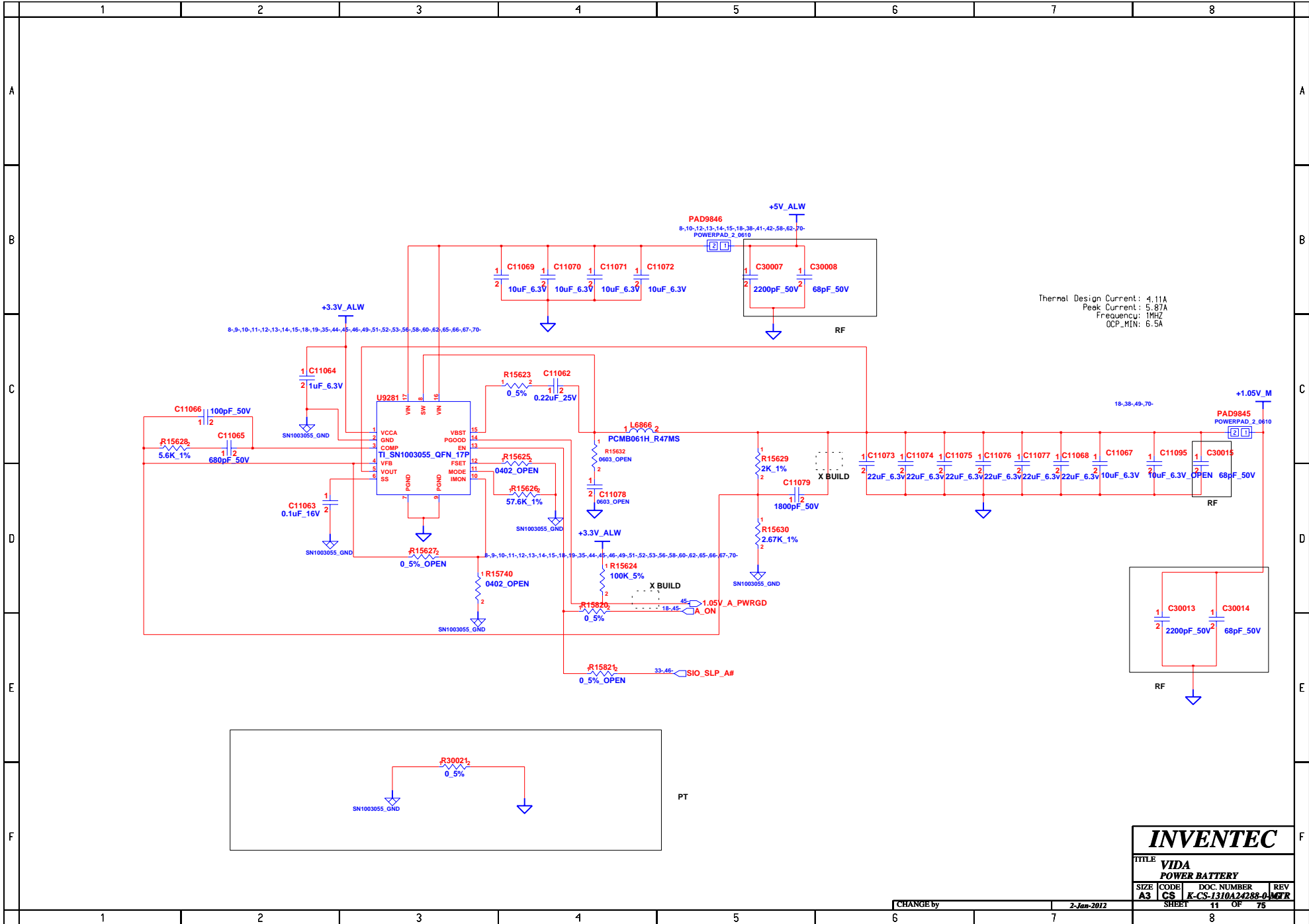
CHANGE by: 2-Jan-2012



INVENTEC			
TITLE VIDA			
SIZE A3	CODE CS	DOC. NUMBER K-CS-1310A24288-01	REV MGR
CHANGE by		2-Jan-2012	
SHEET 8		OF 75	

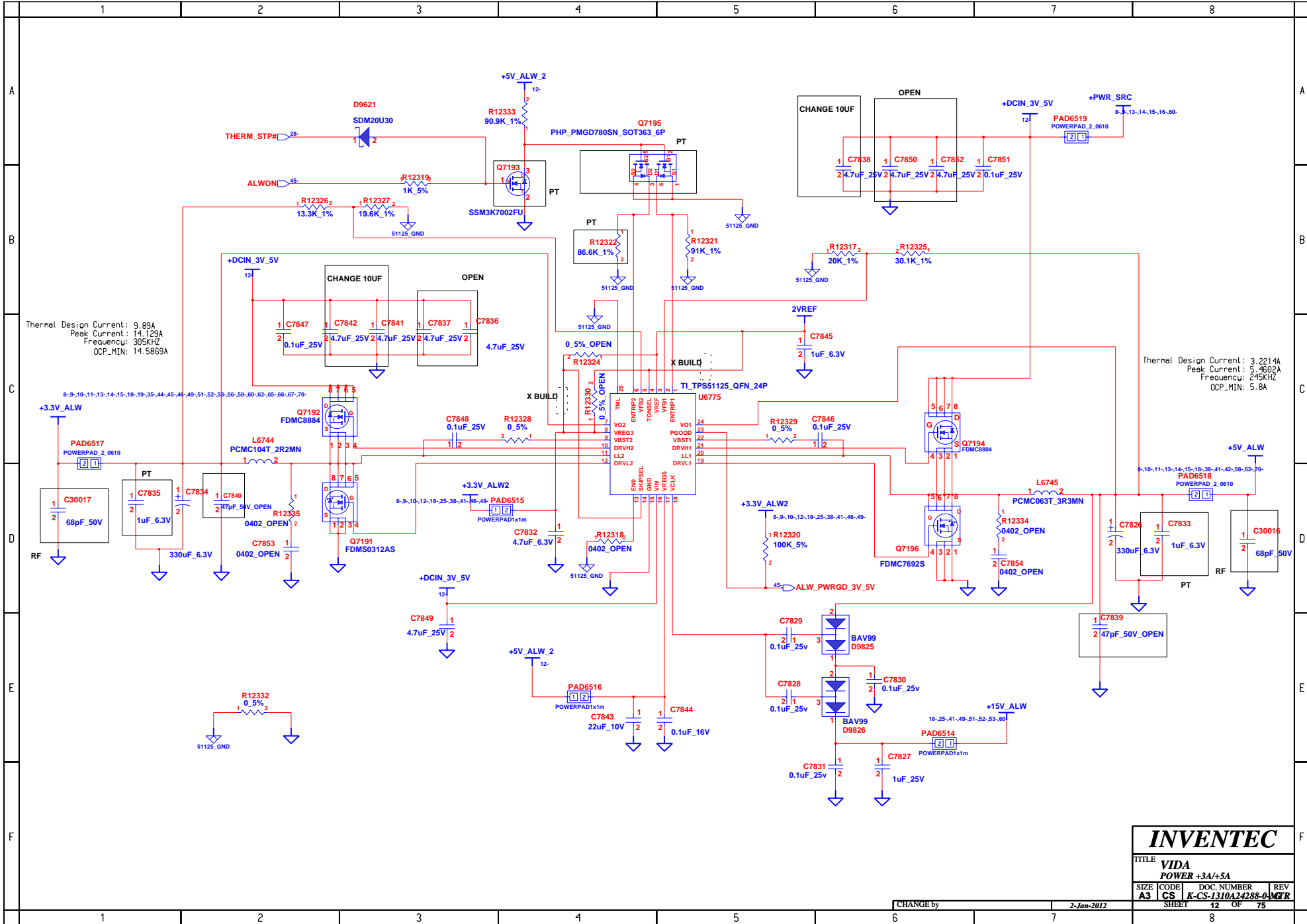






Thermal Design Current: 4.11A
 Peak Current: 5.87A
 Frequency: 1MHz
 OCP_MIN: 6.5A

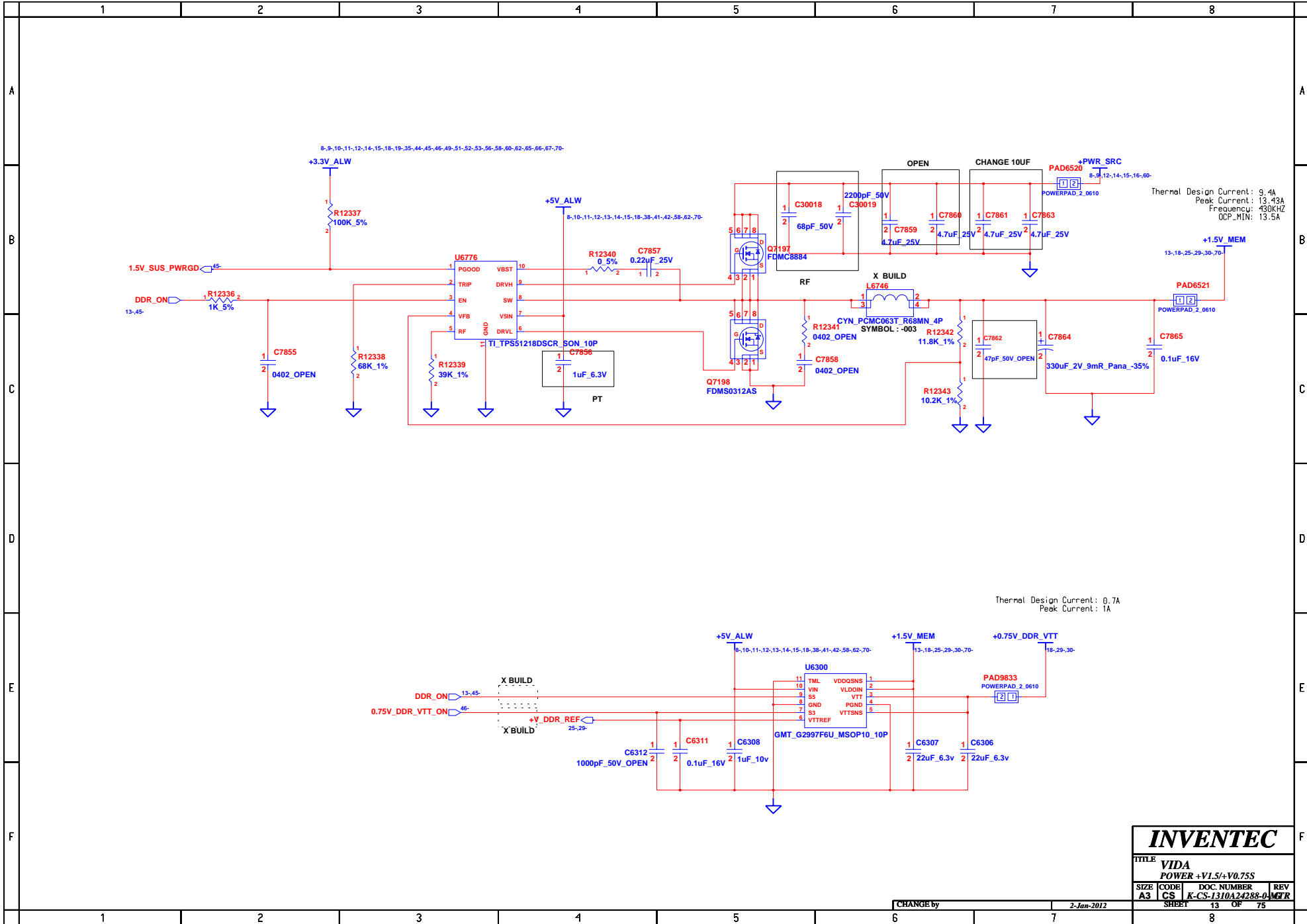
INVENTEC			
TITLE VIDA POWER BATTERY			
SIZE A3	CODE CS	DOC. NUMBER K-CS-1310A24288-0	REV MGR
CHANGE by		2-Jan-2012	SHEET 11 OF 75



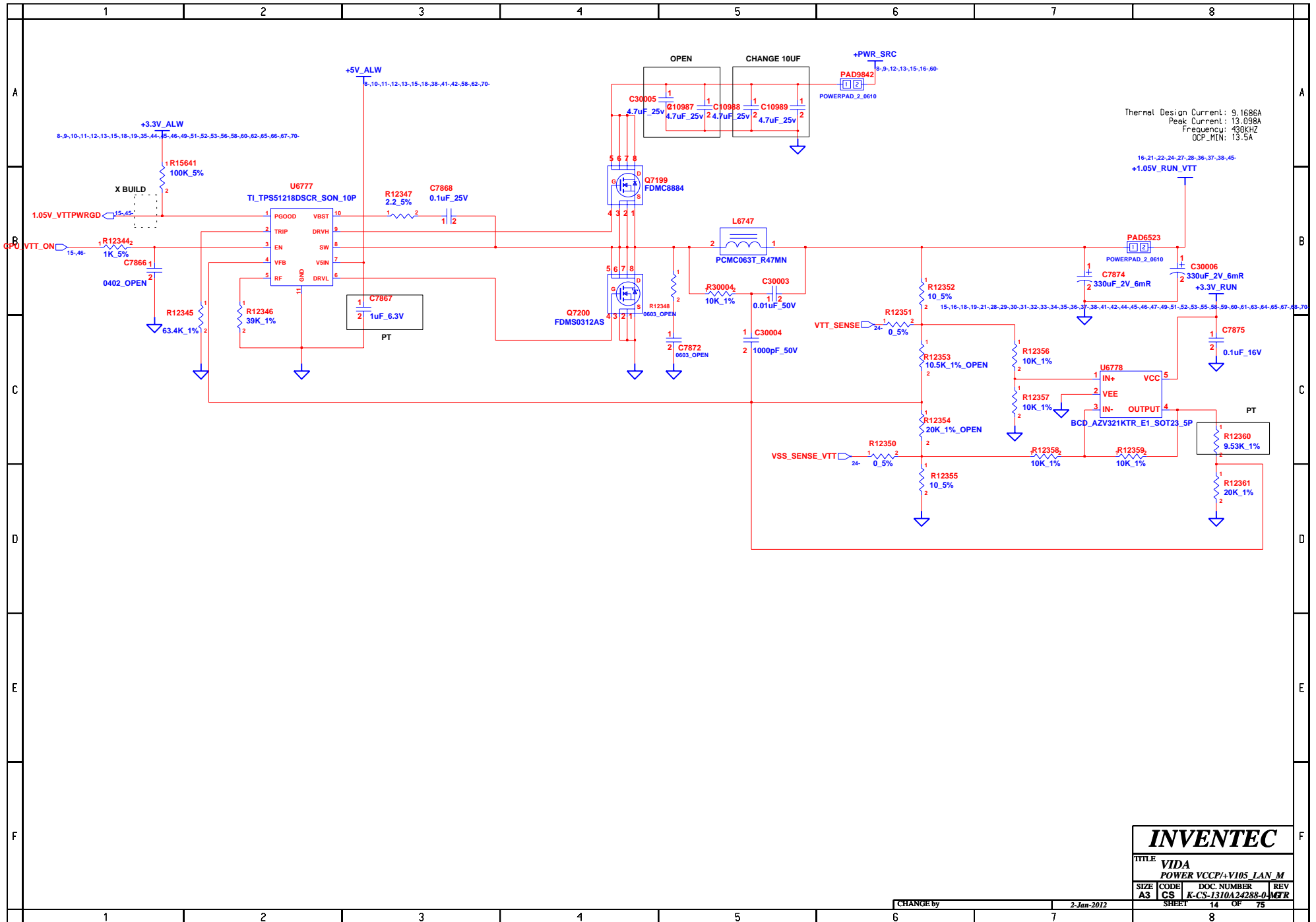
Thermal Design Current: 9.89A
 Peak Current: 14.129A
 Frequency: 305KHZ
 OCP_MIN: 14.5869A

Thermal Design Current: 3.2214A
 Peak Current: 5.4602A
 Frequency: 245KHZ
 OCP_MIN: 5.8A

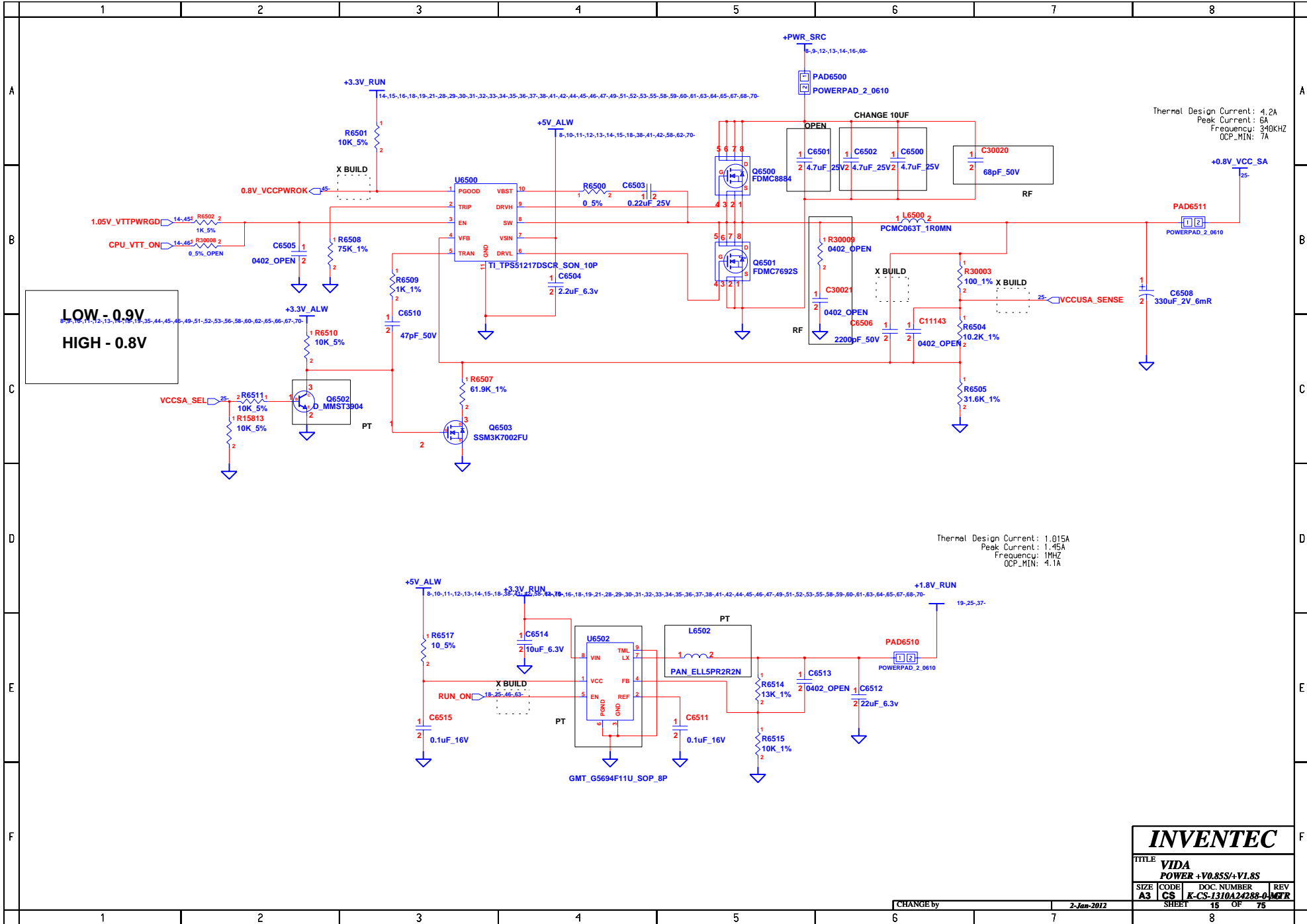
INVENTEC			
TITLE VIDA			
POWER +3A/+5A			
SIZE A3	CODE CS	DOC. NUMBER K-CS-1310A24288-0	REV MGR
CHANGE by		2-Jan-2012	
SHEET		12 OF 75	



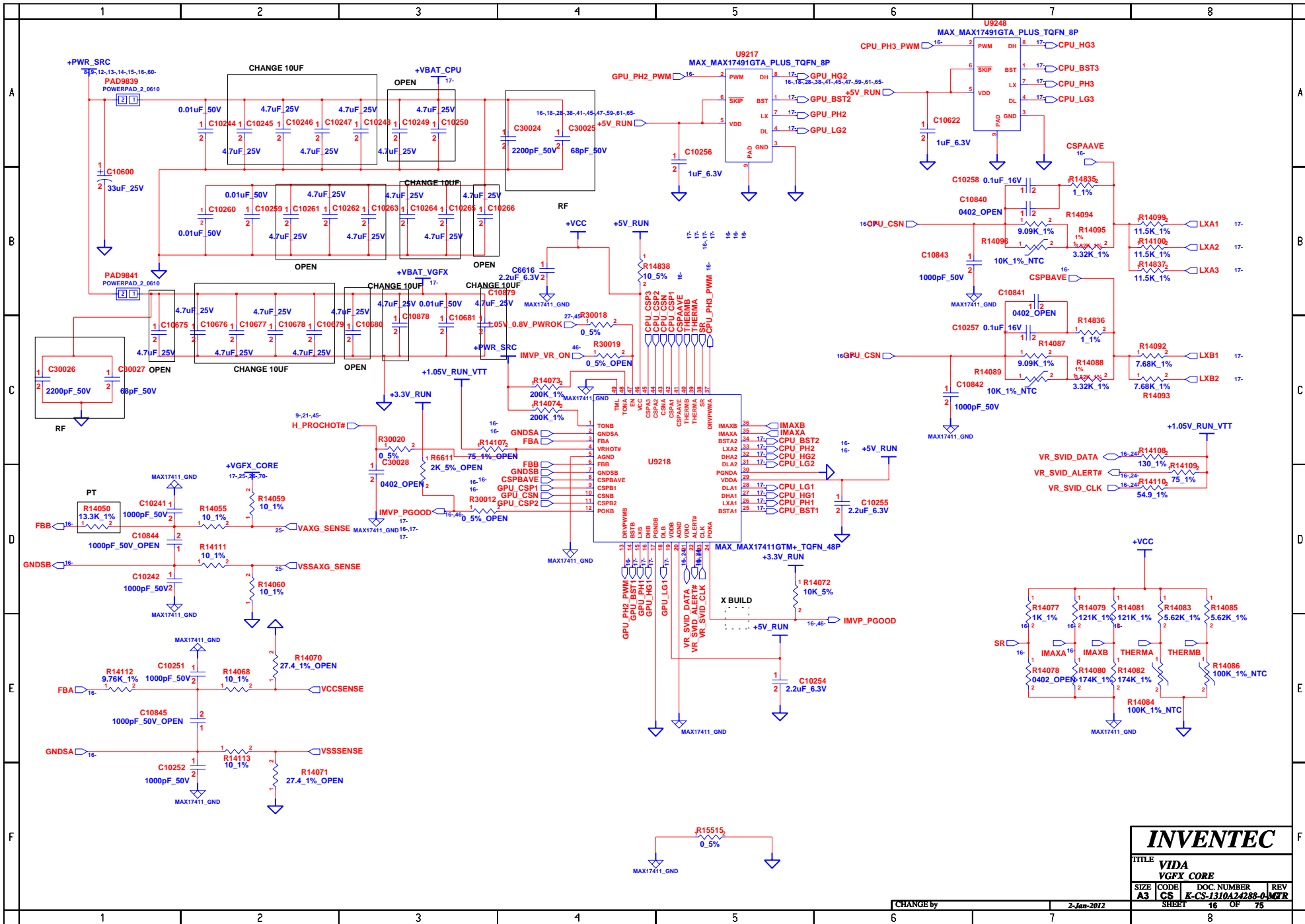
INVENTEC			
TITLE VIDA			
POWER +V1.5/+V0.75S			
SIZE A3	CODE CS	DOC. NUMBER K-CS-1310A24288-0	REV MGR
CHANGE by		2-Jan-2012	
SHEET		13	OF 75



INVENTEC			
TITLE VIDA POWER VCCP/+V105 LAN_M			
SIZE A3	CODE CS	DOC. NUMBER K-CS-1310A24288-01	REV MFR
CHANGE by		2-Jan-2012	SHEET 14 OF 75

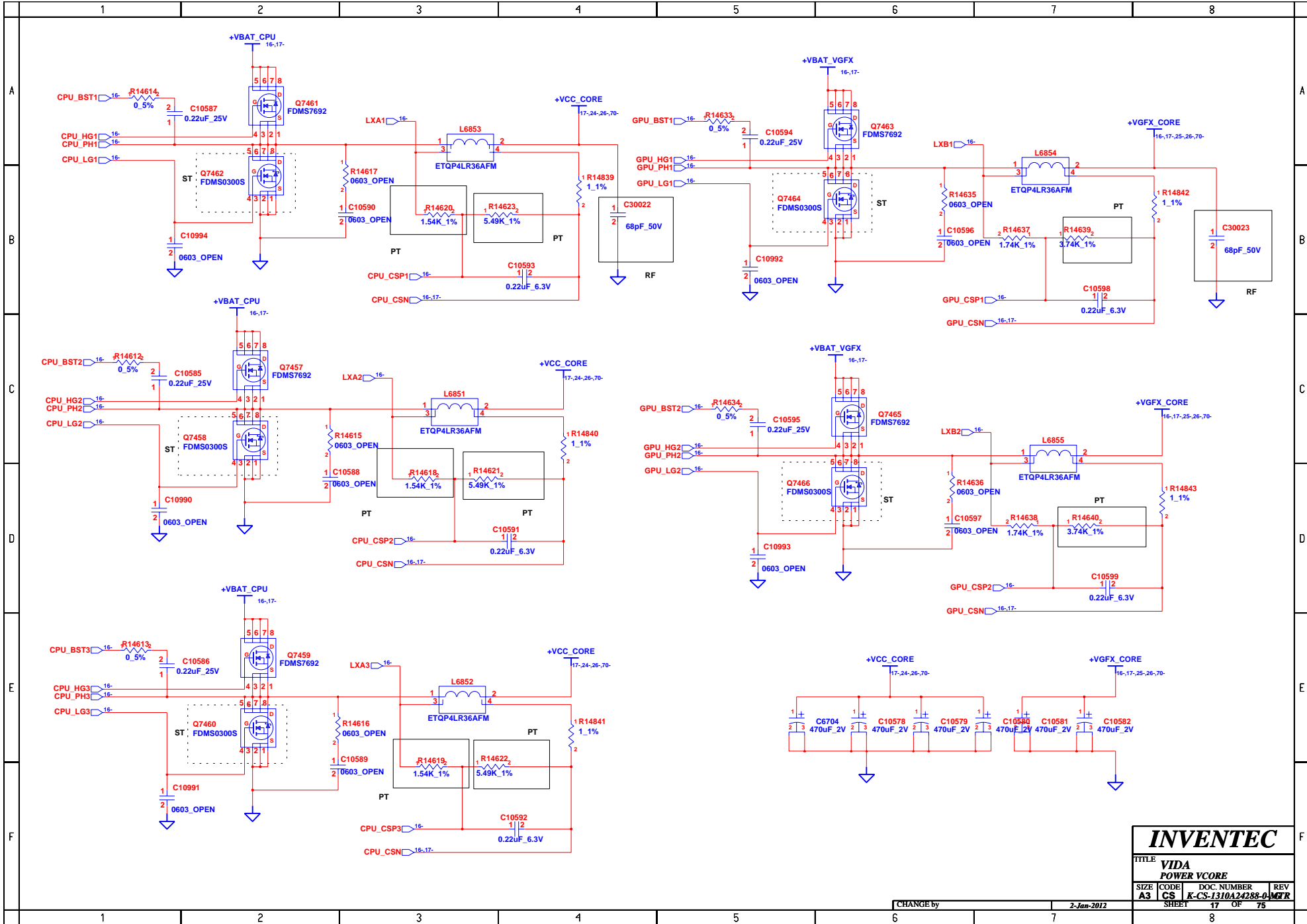


INVENTEC			
TITLE VIDA			
POWER +V0.85S/+V1.8S			
SIZE A3	CODE CS	DOC. NUMBER K-CS-1310A24288-0	REV MGR
CHANGE by		2-Jan-2012	
SHEET		15	OF 75



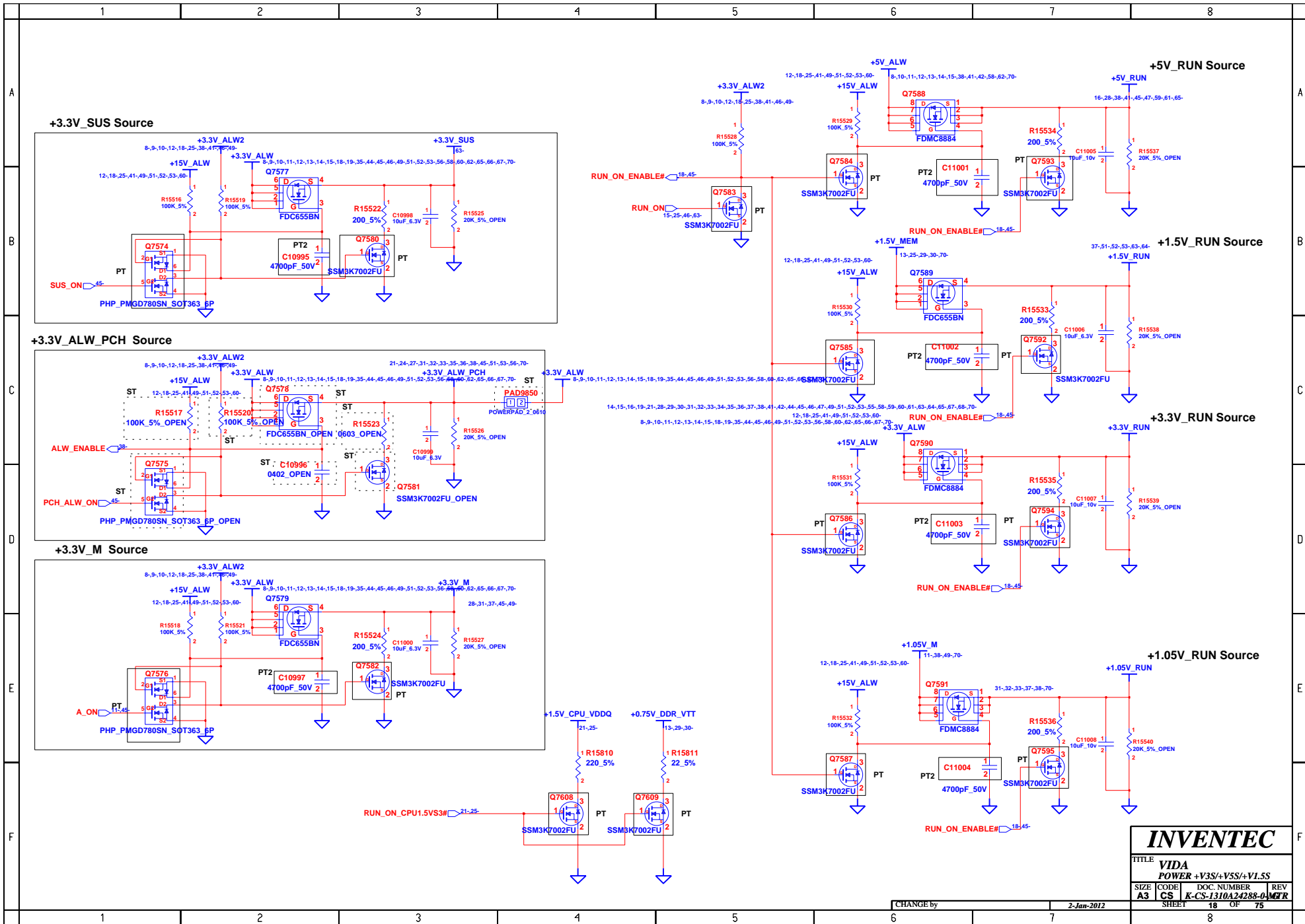
INVENTEC			
TITLE VIDA VGFX CORE			
SIZE A3	CODE CS	DOC. NUMBER K-CS-1310A24288-0	REV MGR
SHEET 16		OF 75	

CHANGE by 2-Jan-2012

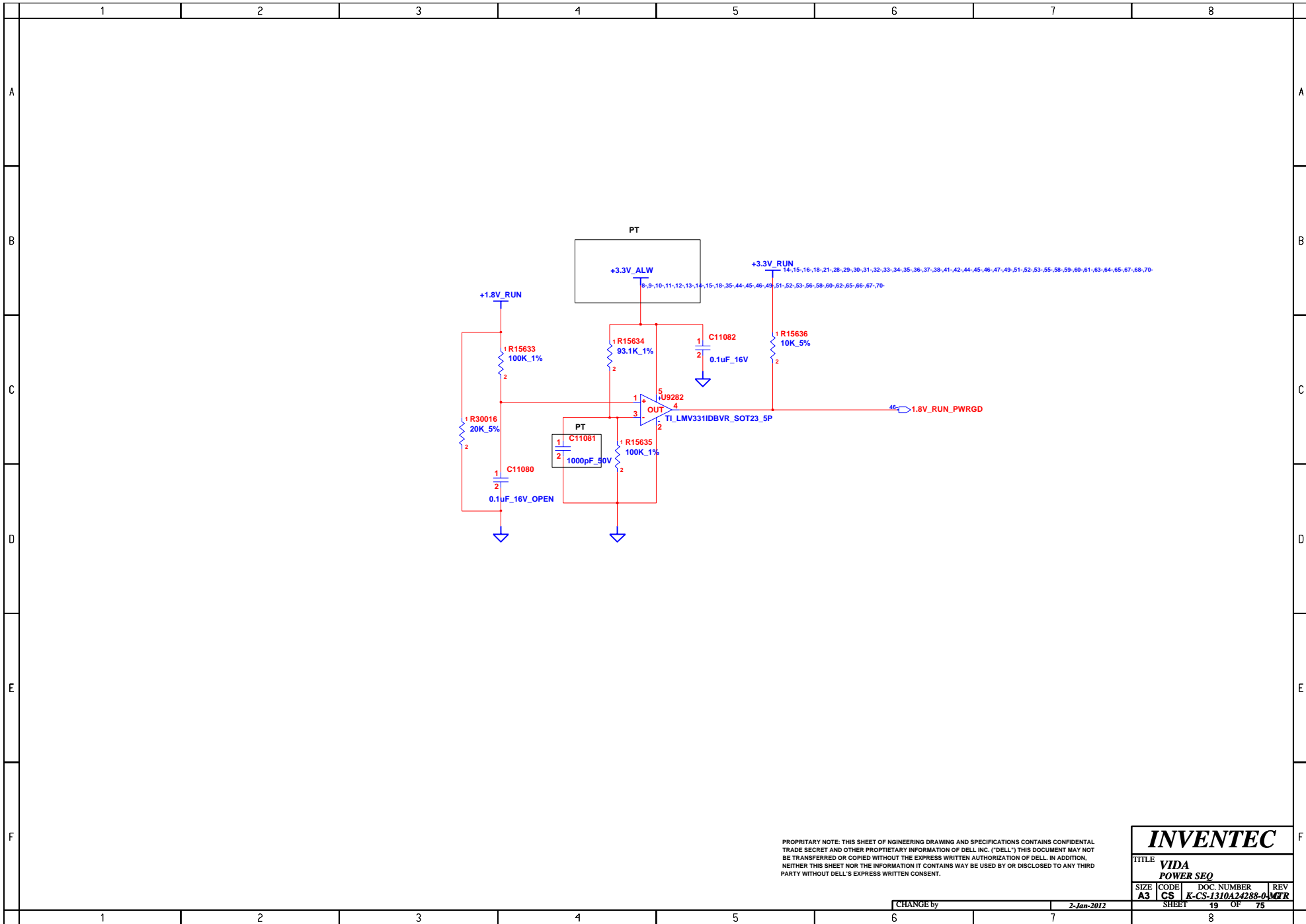


INVENTEC			
TITLE VIDA POWER VCORE			
SIZE A3	CODE CS	DOC. NUMBER K-CS-1310A24288-0	REV MGR
SHEET		17 OF 75	

CHANGE by 2-Jan-2012



INVENTEC			
TITLE VIDA			
POWER +V3S/+VSS/+V1.5S			
SIZE A3	CODE CS	DOC NUMBER K-CS-1310A24288-0	REV MGR
SHEET 18		OF 75	



PROPRIETARY NOTE: THIS SHEET OF ENGINEERING DRAWING AND SPECIFICATIONS CONTAINS CONFIDENTIAL TRADE SECRET AND OTHER PROPRIETARY INFORMATION OF DELL INC. ("DELL") THIS DOCUMENT MAY NOT BE TRANSFERRED OR COPIED WITHOUT THE EXPRESS WRITTEN AUTHORIZATION OF DELL. IN ADDITION, NEITHER THIS SHEET NOR THE INFORMATION IT CONTAINS MAY BE USED BY OR DISCLOSED TO ANY THIRD PARTY WITHOUT DELL'S EXPRESS WRITTEN CONSENT.

INVENTEC

TITLE **VIDA
POWER SEQ**

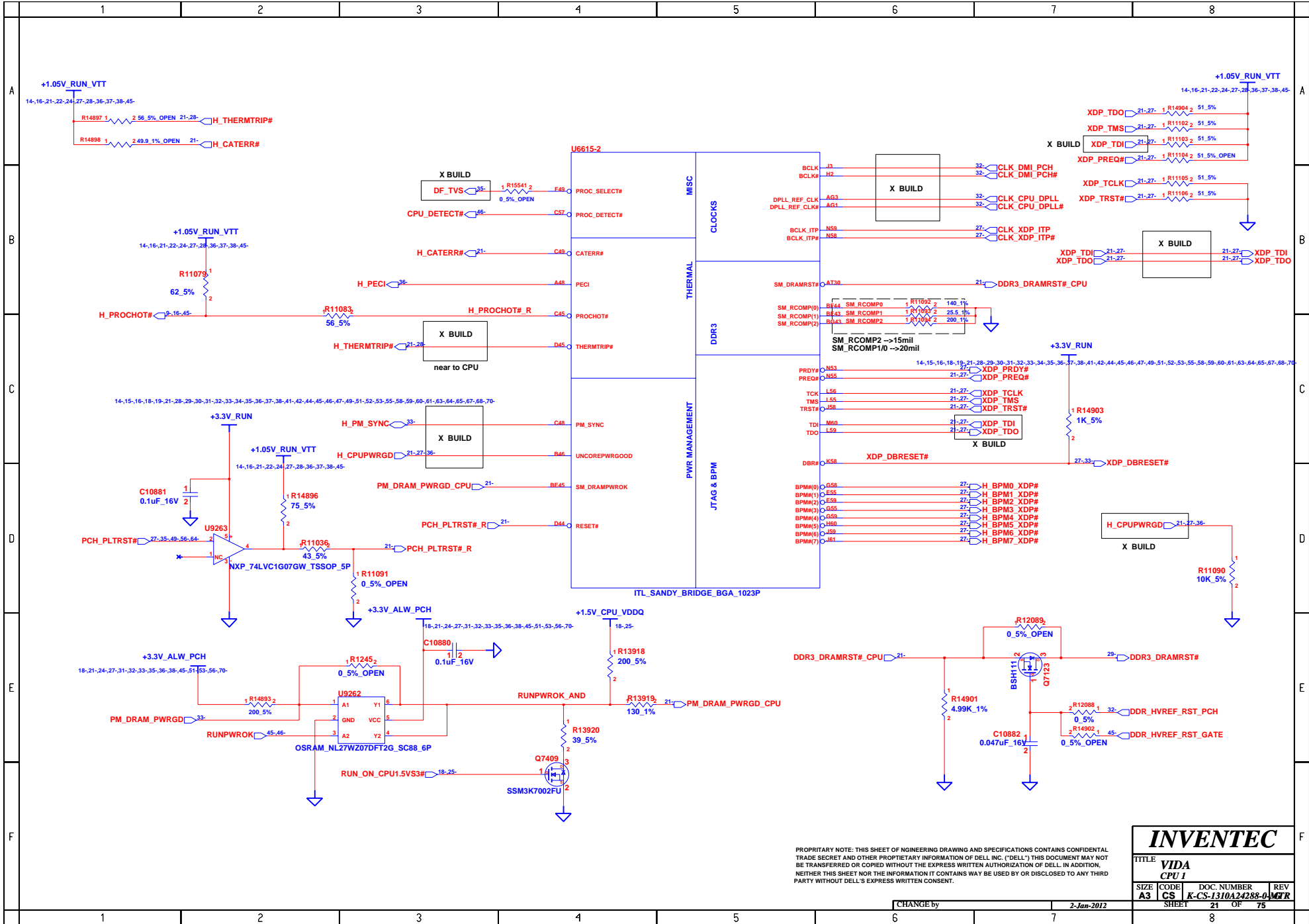
SIZE	CODE	DOC. NUMBER	REV
A3	CS	K-CS-1310A24288-0	MGR

CHANGE by 2-Jan-2012

SHEET 19 OF 75

	1	2	3	4	5	6	7	8	
A									A
B									B
C									C
D									D
E									E
F									F
	1	2	3	4	5	6	7	8	

INVENTEC			
TITLE VIDA			
POWER SEQ			
SIZE	CODE	DOC. NUMBER	REV
A3	CS	K-CS-1310A24288-0	MGR
CHANGE by		2-Jan-2012	
SHEET		20	OF 75
		8	

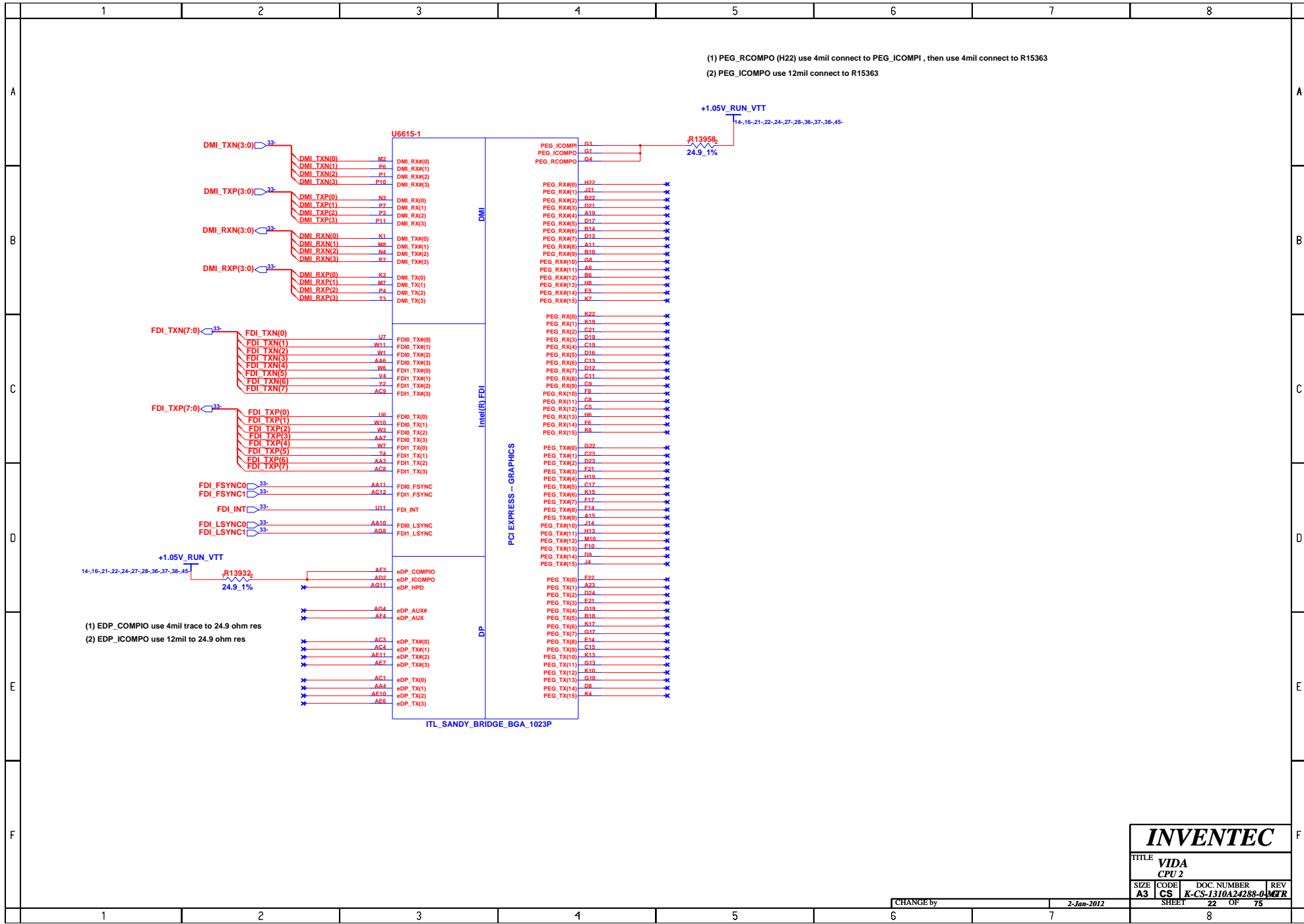


PROPRIETARY NOTE: THIS SHEET OF ENGINEERING DRAWING AND SPECIFICATIONS CONTAINS CONFIDENTIAL TRADE SECRET AND OTHER PROPRIETARY INFORMATION OF DELL INC. ("DELL"); THIS DOCUMENT MAY NOT BE TRANSFERRED OR COPIED WITHOUT THE EXPRESS WRITTEN AUTHORIZATION OF DELL. IN ADDITION, NEITHER THIS SHEET NOR THE INFORMATION IT CONTAINS MAY BE USED BY OR DISCLOSED TO ANY THIRD PARTY WITHOUT DELL'S EXPRESS WRITTEN CONSENT.

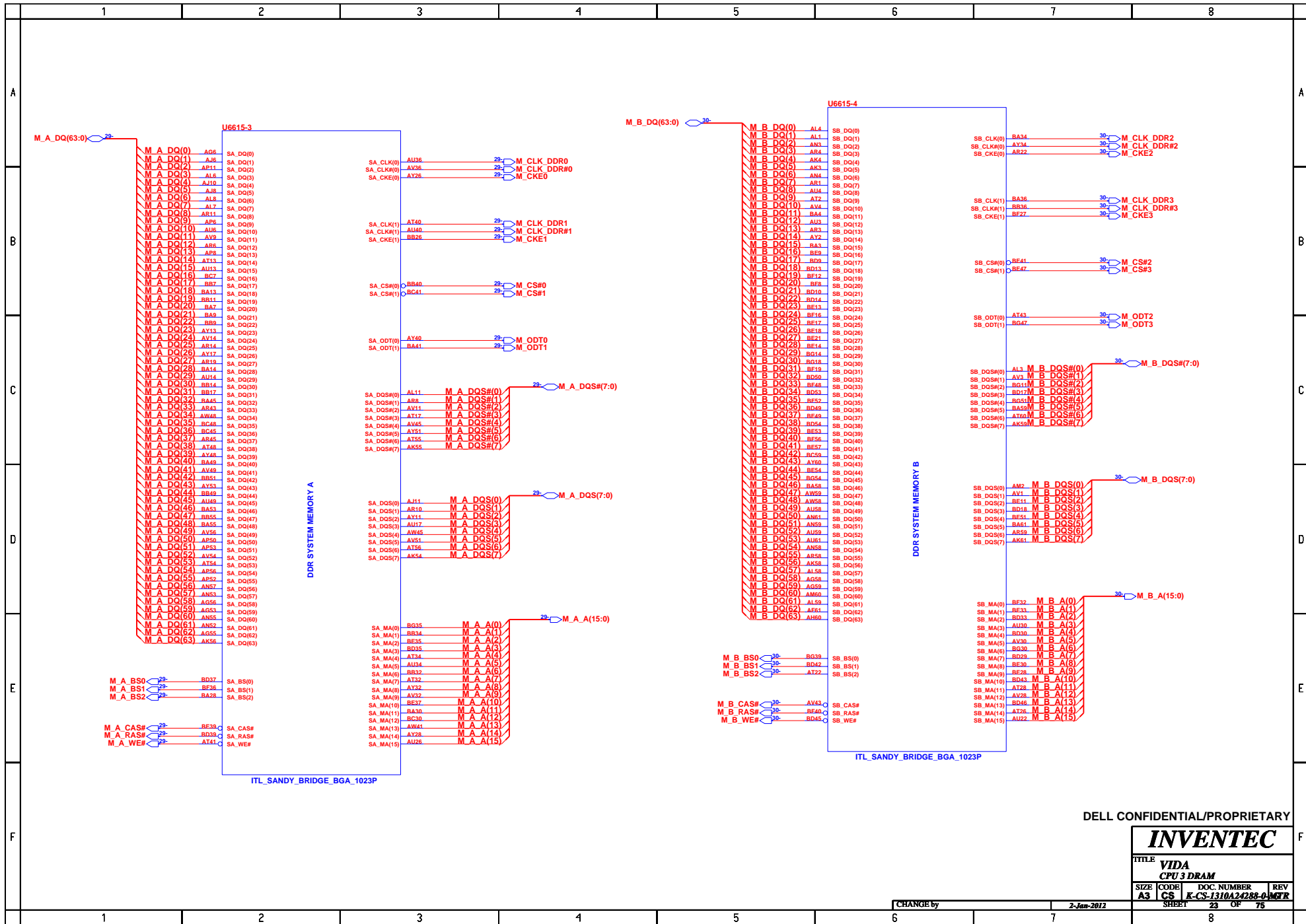
INVENTEC

TITLE			VIDA CPU 1	
SIZE	CODE	DOC. NUMBER	REV	
A3	CS	K-CS-1310A24288-0	MGR	
SHEET		21	OF 75	

CHANGE by 2-Jan-2012



INVENTEC			
TITLE VIDA CPU 2			
SIZE A3	CODE CS	DOC. NUMBER K-CS-1310A24288-0	REV MGR
CHANGE by		2-Jan-2012	
SHEET		22 OF 75	

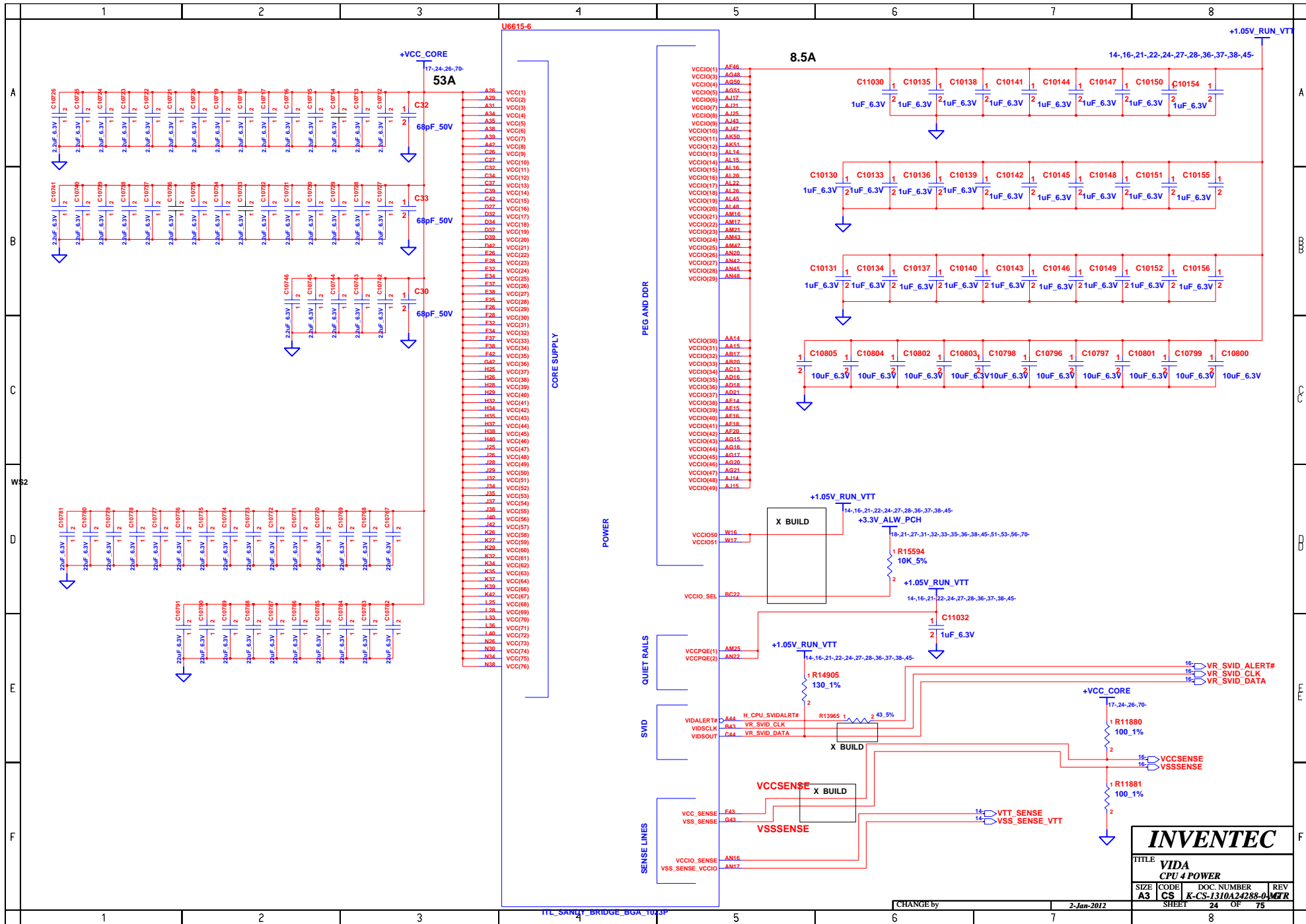


DELL CONFIDENTIAL/PROPRIETARY

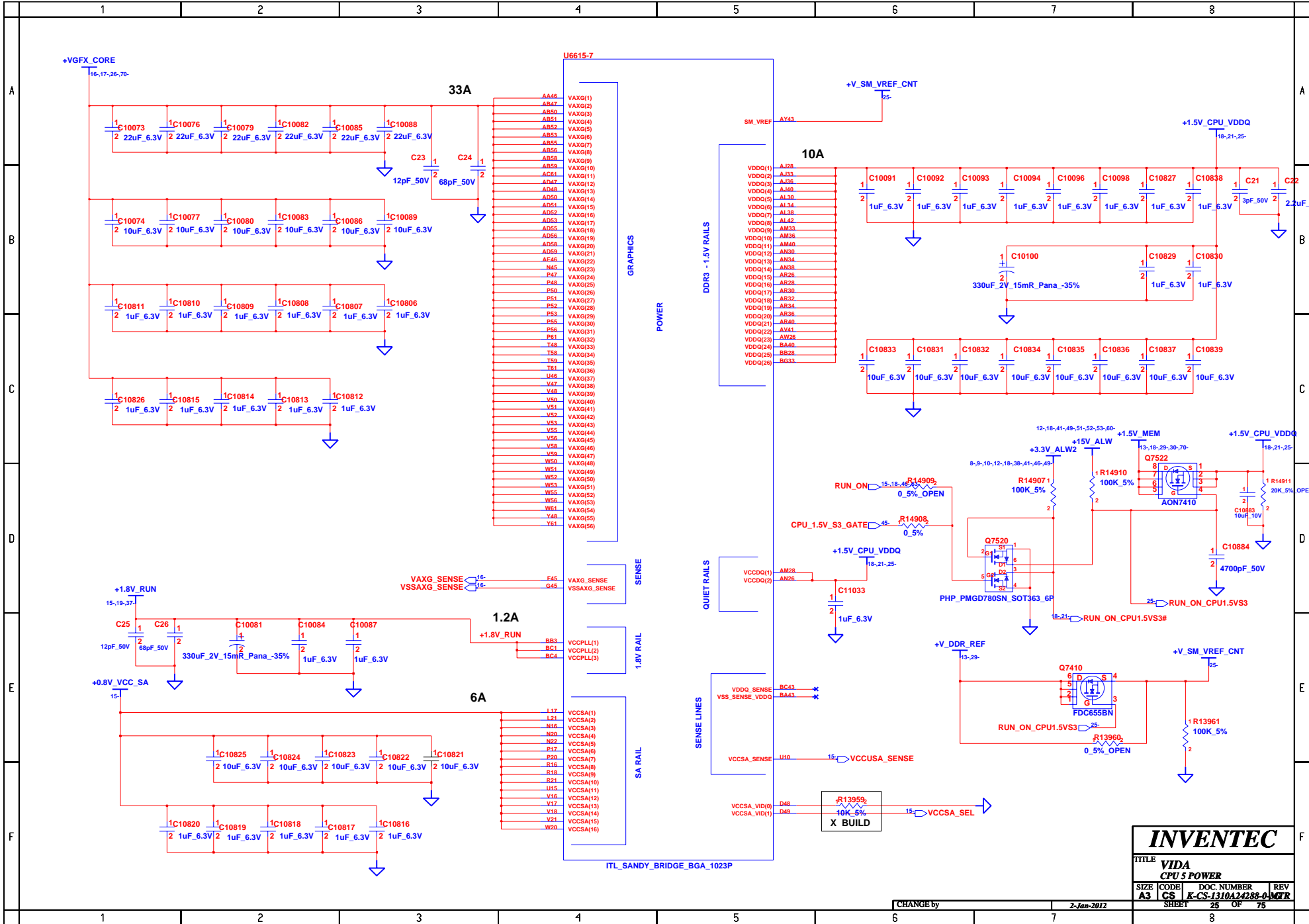
INVENTEC

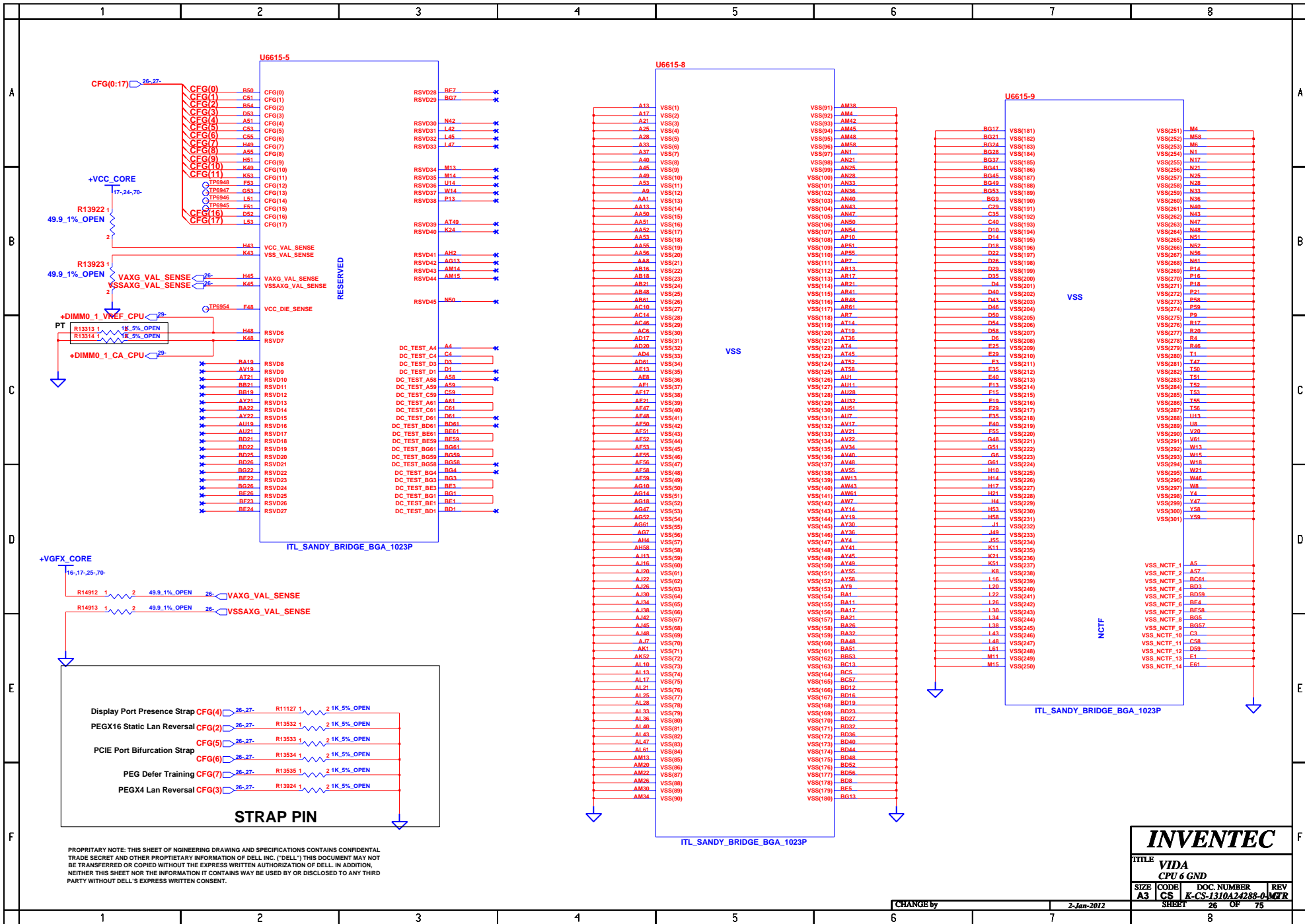
TITLE VIDA CPU 3 DRAM			
SIZE A3	CODE CS	DOC. NUMBER K-CS-1310A24288-0	REV MGR
SHEET 23		OF 75	

CHANGE by **2-Jan-2012**



INVENTEC			
TITLE VIDA CPU 4 POWER			
SIZE A3	CODE CS	DOC NUMBER K-CS-1310A24288-0	REV MGR
SHEET 24		OF 75	





INVENTEC

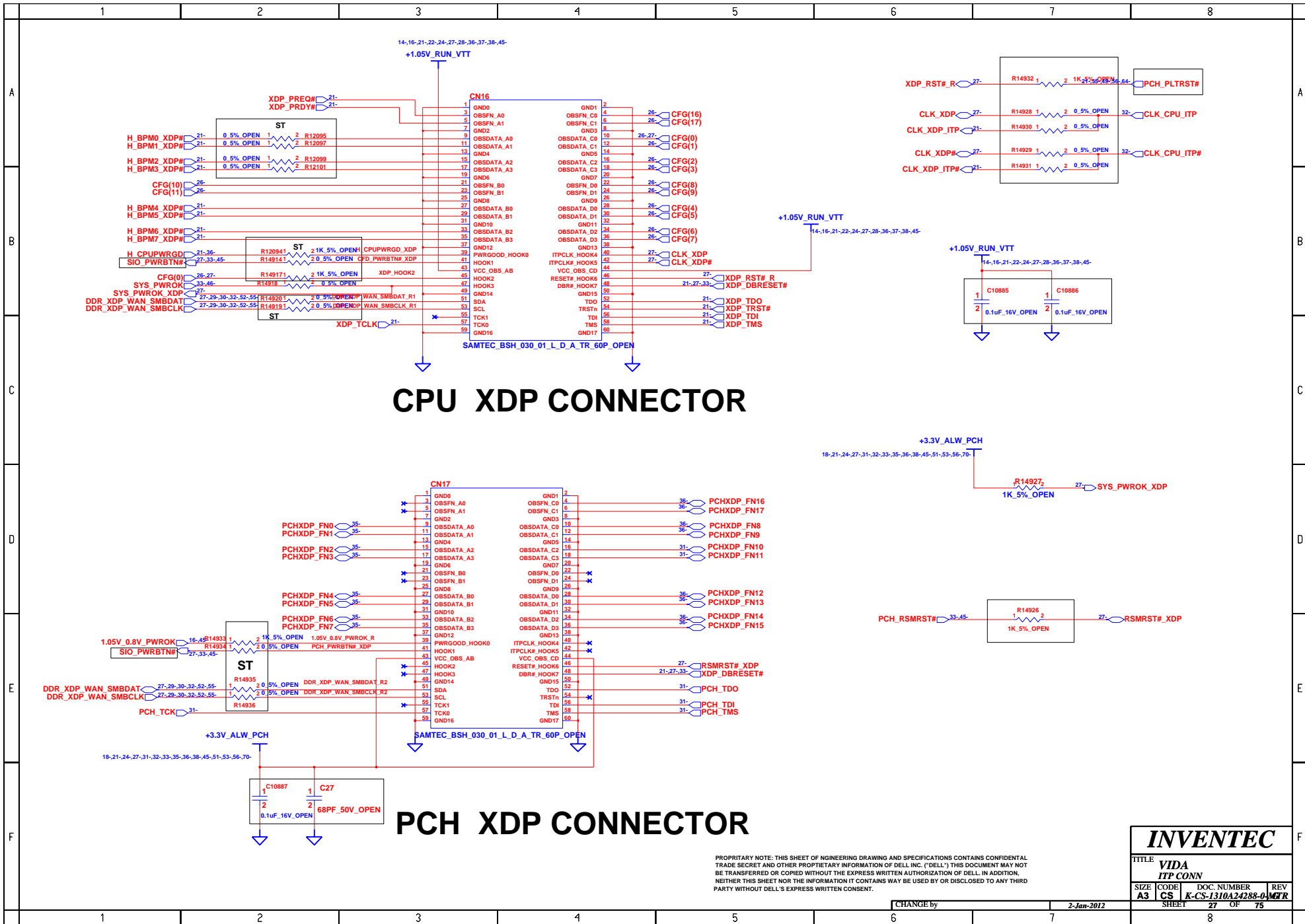
TITLE: **VIDA CPU 6 GND**

SIZE	CODE	DOC. NUMBER	REV
A3	CS	K-CS-1310A24288-0	MGR

SHEET 26 OF 75

CHANGE by 2-Jan-2012

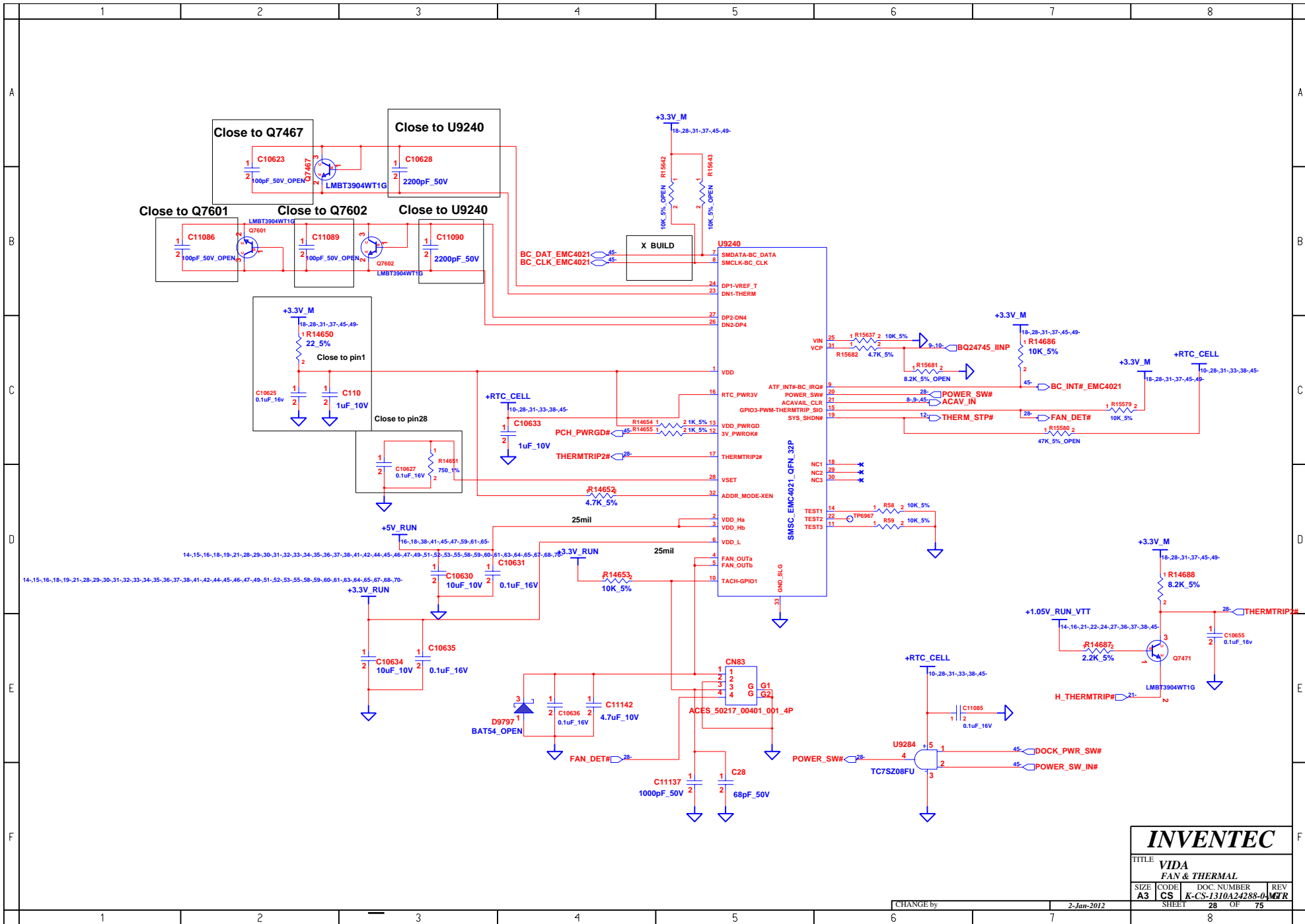
PROPRIETARY NOTE: THIS SHEET OF ENGINEERING DRAWING AND SPECIFICATIONS CONTAINS CONFIDENTIAL TRADE SECRET AND OTHER PROPRIETARY INFORMATION OF DELL INC. ("DELL") THIS DOCUMENT MAY NOT BE TRANSFERRED OR COPIED WITHOUT THE EXPRESS WRITTEN AUTHORIZATION OF DELL. IN ADDITION, NEITHER THIS SHEET NOR THE INFORMATION IT CONTAINS MAY BE USED BY OR DISCLOSED TO ANY THIRD PARTY WITHOUT DELL'S EXPRESS WRITTEN CONSENT.



PROPRIETARY NOTE: THIS SHEET OF ENGINEERING DRAWING AND SPECIFICATIONS CONTAINS CONFIDENTIAL TRADE SECRET AND OTHER PROPRIETARY INFORMATION OF DELL INC. ("DELL"). THIS DOCUMENT MAY NOT BE TRANSFERRED OR COPIED WITHOUT THE EXPRESS WRITTEN AUTHORIZATION OF DELL. IN ADDITION, NEITHER THIS SHEET NOR THE INFORMATION IT CONTAINS MAY BE USED BY OR INFORMED TO ANY THIRD PARTY WITHOUT DELL'S EXPRESS WRITTEN CONSENT.

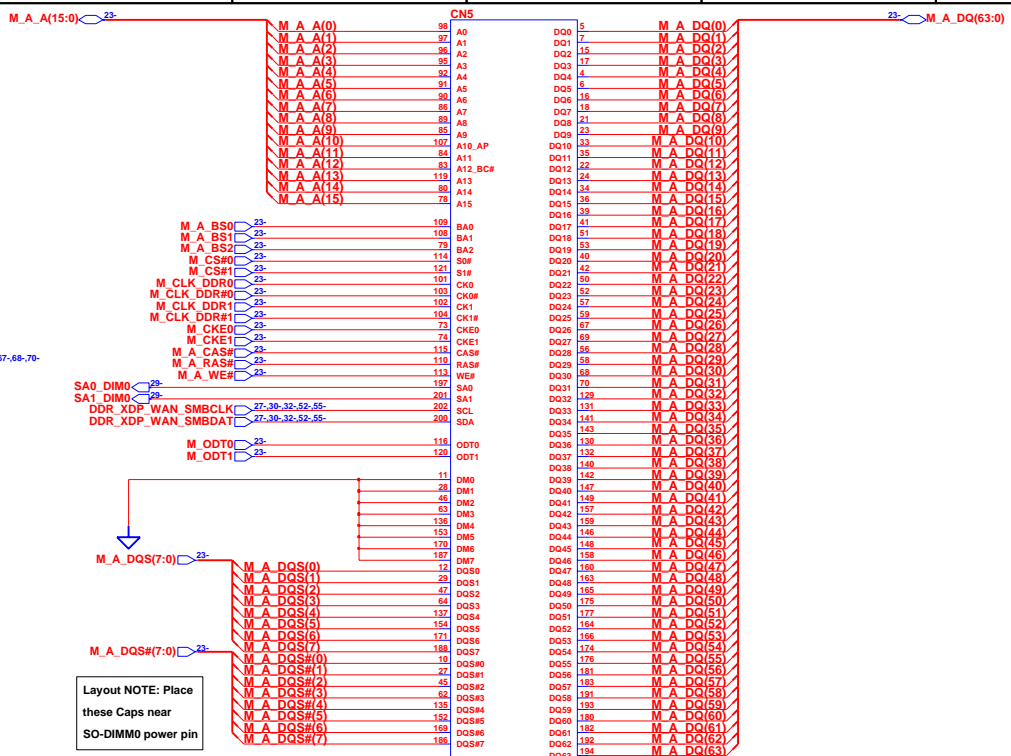
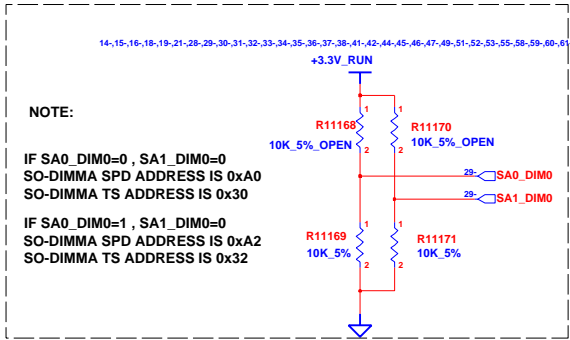
INVENTEC			
TITLE VIDA ITP CONN			
SIZE A3	CODE CS	DOC. NUMBER K-CS-1310A24288-0	REV MGR
SHEET 27		OF 75	

CHANGE by **2-Jan-2012**



INVENTEC			
TITLE VIDA			
FAN & THERMAL			
SIZE A3	CODE CS	DOC NUMBER K-CS-1310A24288-01	REV MGR
SHEET 28		OF 75	

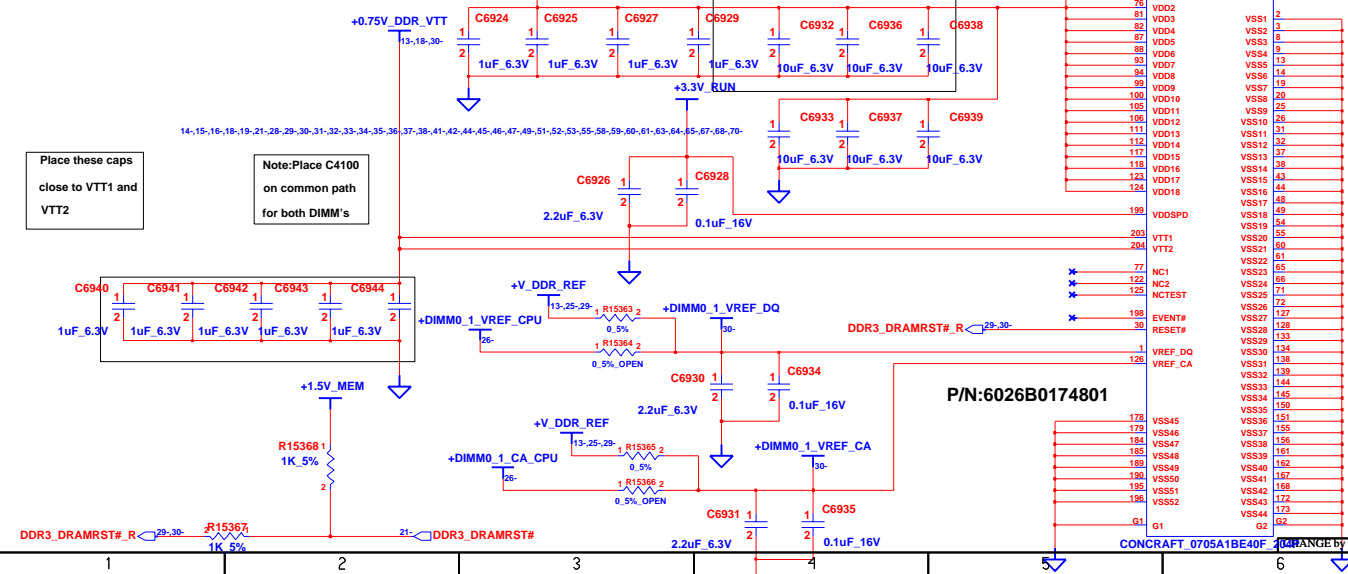
CHA



Layout NOTE: Place these Caps near SO-DIMM0 power pin

Place these caps close to VTT1 and VTT2

Note: Place C4100 on common path for both DIMM's

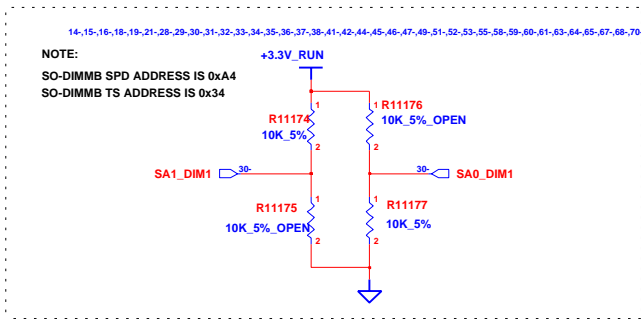
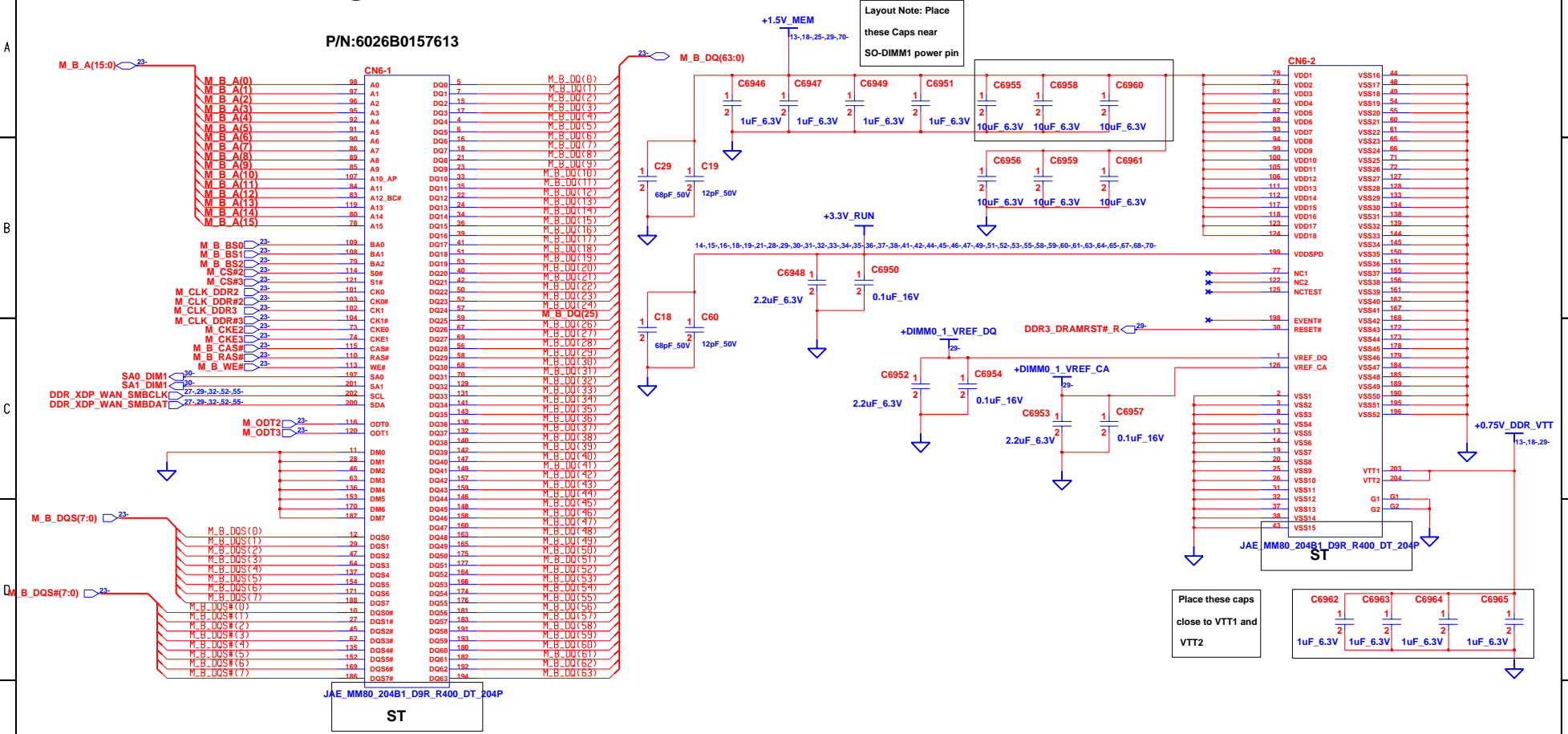


PROPRIETARY NOTE: THIS SHEET OF ENGINEERING DRAWING AND SPECIFICATIONS CONTAINS CONFIDENTIAL TRADE SECRET AND OTHER PROPRIETARY INFORMATION OF DELL INC. ("DELL") THIS DOCUMENT MAY NOT BE TRANSFERRED OR COPIED WITHOUT THE EXPRESS WRITTEN AUTHORIZATION OF DELL. IN ADDITION, NEITHER THIS SHEET NOR THE INFORMATION IT CONTAINS WILL BE USED BY OR DISCLOSED TO ANY THIRD PARTY WITHOUT DELL'S EXPRESS WRITTEN CONSENT.

INVENTEC			
TITLE VIDA DDR3 DIMM0			
SIZE A3	CODE CS	DOC. NUMBER K-CS-1310A24288-0-MFR	REV 75
SHEET		29	OF 75

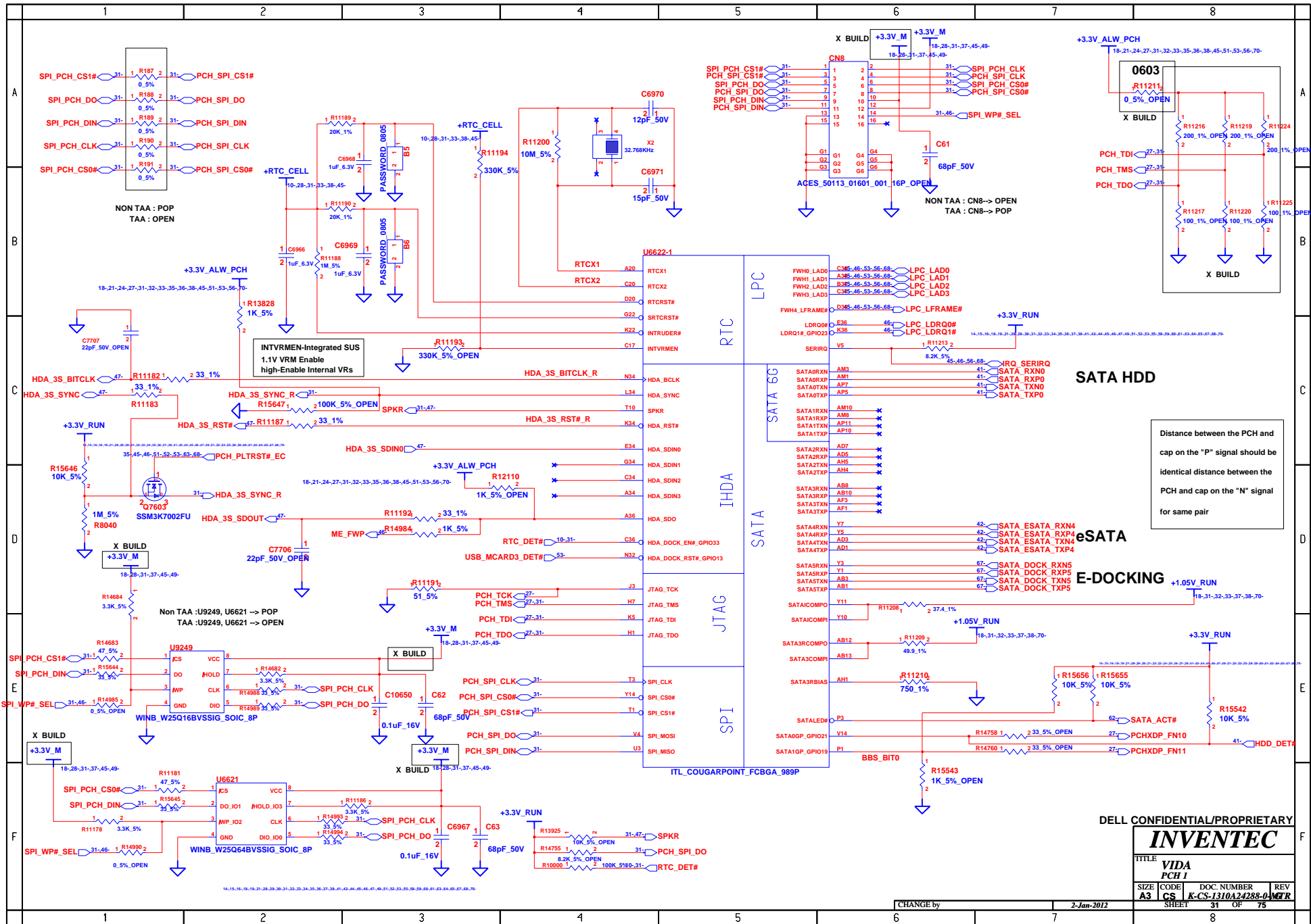
CHB

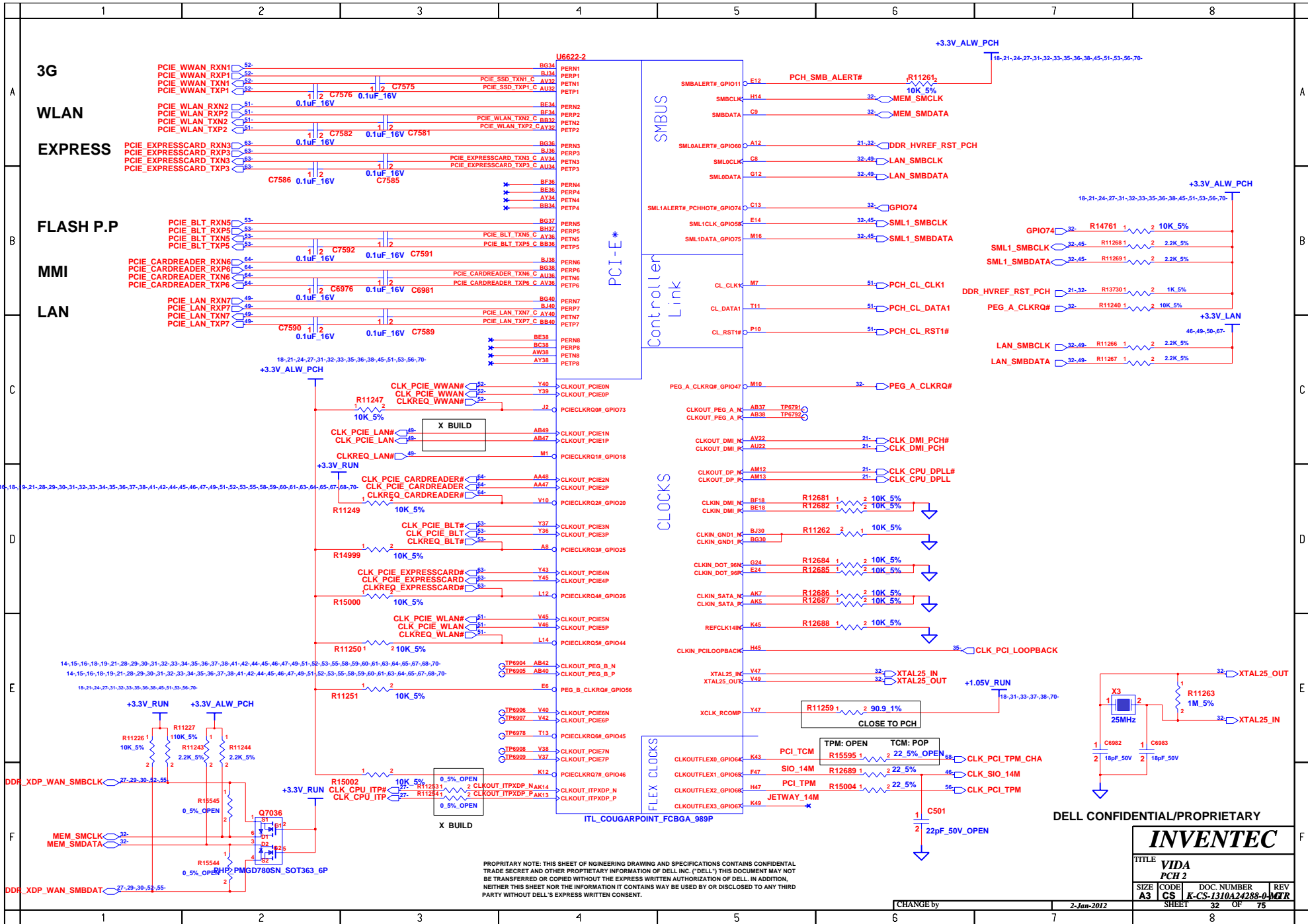
P/N:6026B0157613



PROPRIETARY NOTE: THIS SHEET OF ENGINEERING DRAWING AND SPECIFICATIONS CONTAINS CONFIDENTIAL TRADE SECRET AND OTHER PROPRIETARY INFORMATION OF DELL INC. ("DELL") THIS DOCUMENT MAY NOT BE TRANSFERRED OR COPIED WITHOUT THE EXPRESS WRITTEN AUTHORIZATION OF DELL. IN ADDITION, NEITHER THIS SHEET NOR THE INFORMATION IT CONTAINS MAY BE USED BY OR DISCLOSED TO ANY THIRD PARTY WITHOUT DELL'S EXPRESS WRITTEN CONSENT.

INVENTEC			
TITLE VIDA DDR3 DIMM1			
SIZE A3	CODE CS	DOC NUMBER K-CS-1310A24288-0	REV MGR
SHEET 30		OF 75	



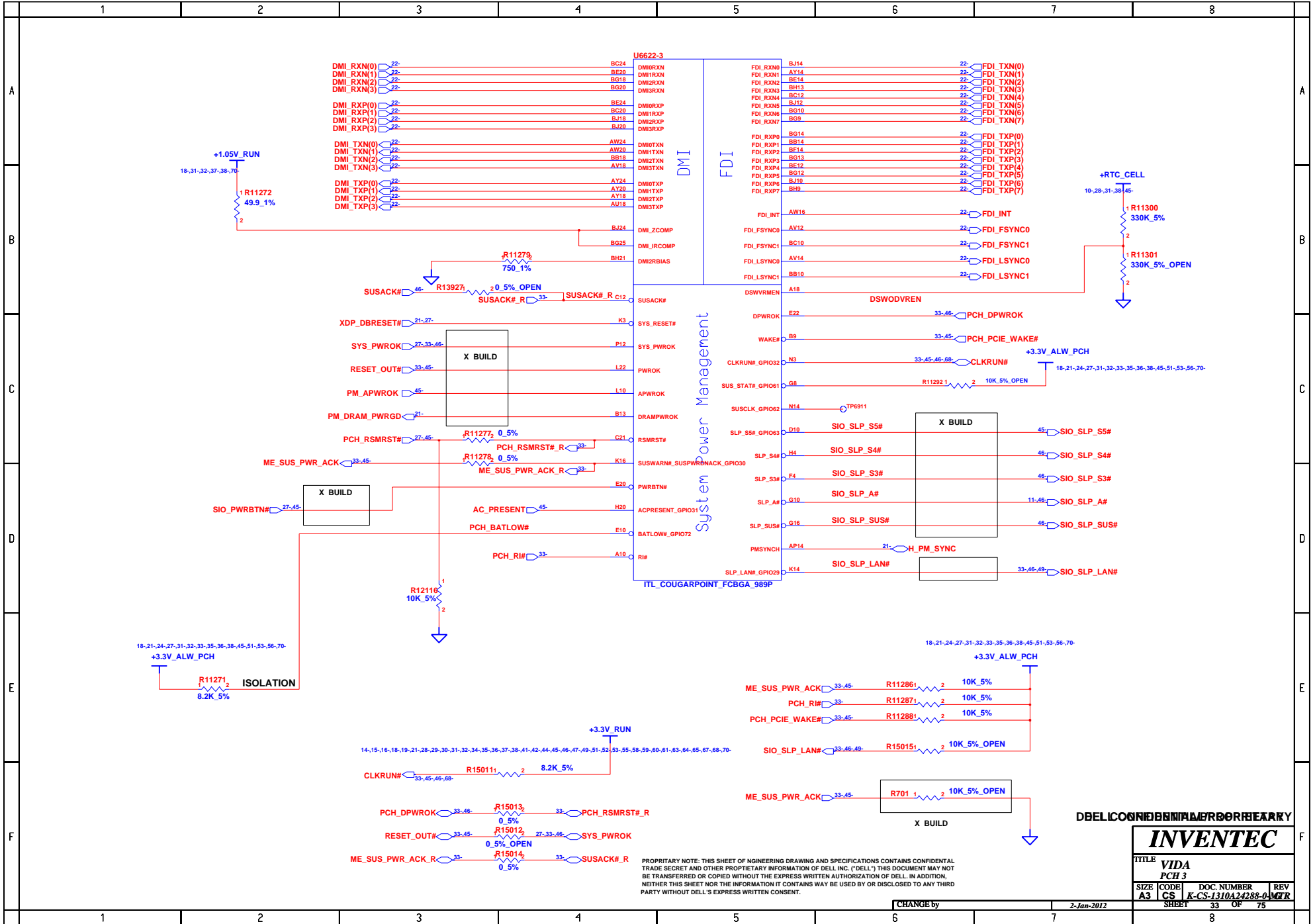


PROPRIETARY NOTE: THIS SHEET OF ENGINEERING DRAWING AND SPECIFICATIONS CONTAINS CONFIDENTIAL TRADE SECRET AND OTHER PROPRIETARY INFORMATION OF DELL INC. ("DELL"). THIS DOCUMENT MAY NOT BE TRANSFERRED OR COPIED WITHOUT THE EXPRESS WRITTEN AUTHORIZATION OF DELL. IN ADDITION, NEITHER THIS SHEET NOR THE INFORMATION IT CONTAINS MAY BE USED BY OR DISCLOSED TO ANY THIRD PARTY WITHOUT DELL'S EXPRESS WRITTEN CONSENT.

DELL CONFIDENTIAL/PROPRIETARY

INVENTEC			
TITLE VIDA PCH 2			
SIZE A3	CODE CS	DOC. NUMBER K-CS-1310A24288-0-MFR	REV 75
SHEET 1		OF 8	

CHANGE by 2-Jun-2012

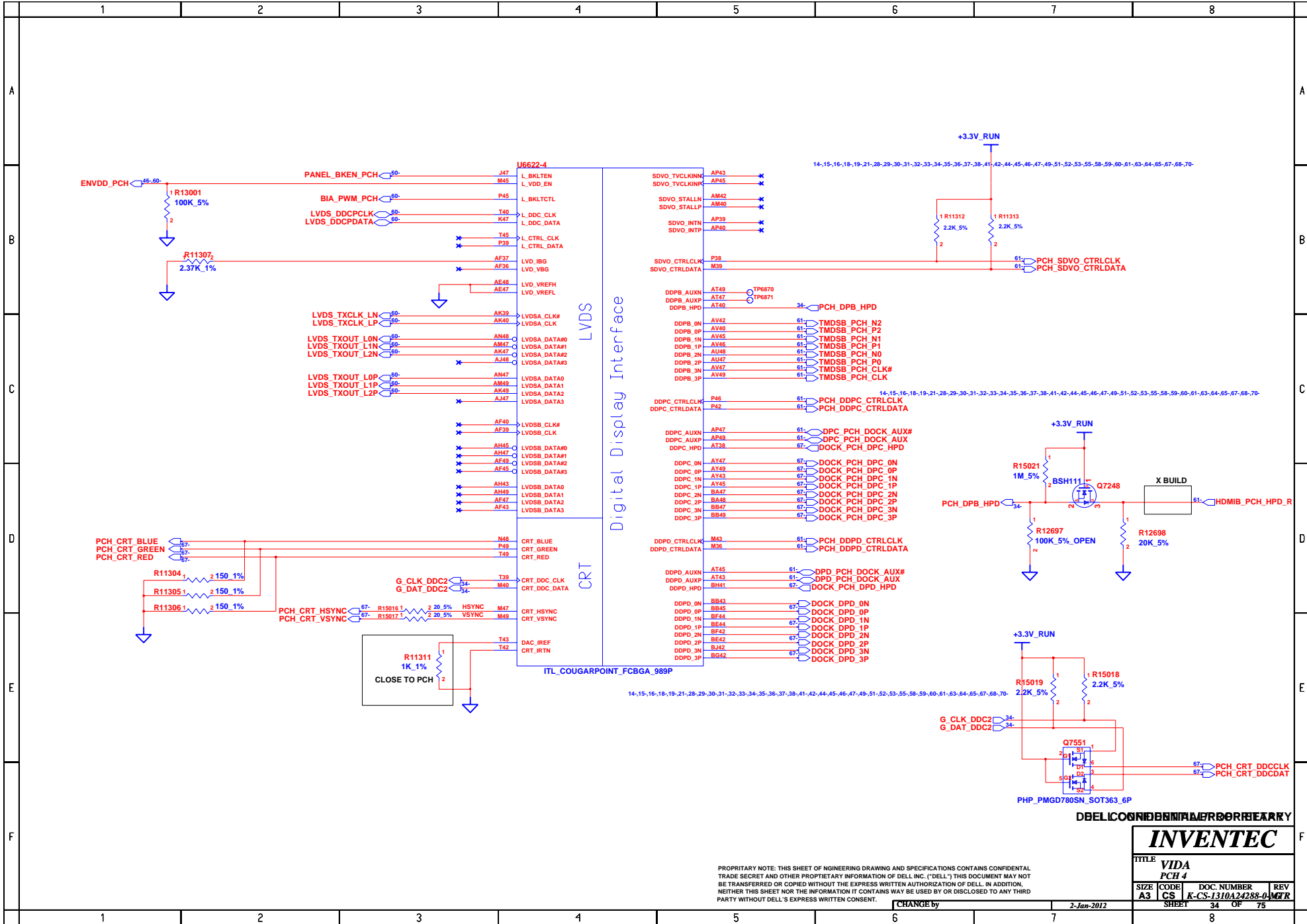


PROPRIETARY NOTE: THIS SHEET OF ENGINEERING DRAWING AND SPECIFICATIONS CONTAINS CONFIDENTIAL TRADE SECRET AND OTHER PROPRIETARY INFORMATION OF DELL INC. ("DELL") THIS DOCUMENT MAY NOT BE TRANSFERRED OR COPIED WITHOUT THE EXPRESS WRITTEN AUTHORIZATION OF DELL. IN ADDITION, NEITHER THIS SHEET NOR THE INFORMATION IT CONTAINS MAY BE USED BY OR DISCLOSED TO ANY THIRD PARTY WITHOUT DELL'S EXPRESS WRITTEN CONSENT.

DBELICOINBBNIMALPBRORBEARRY

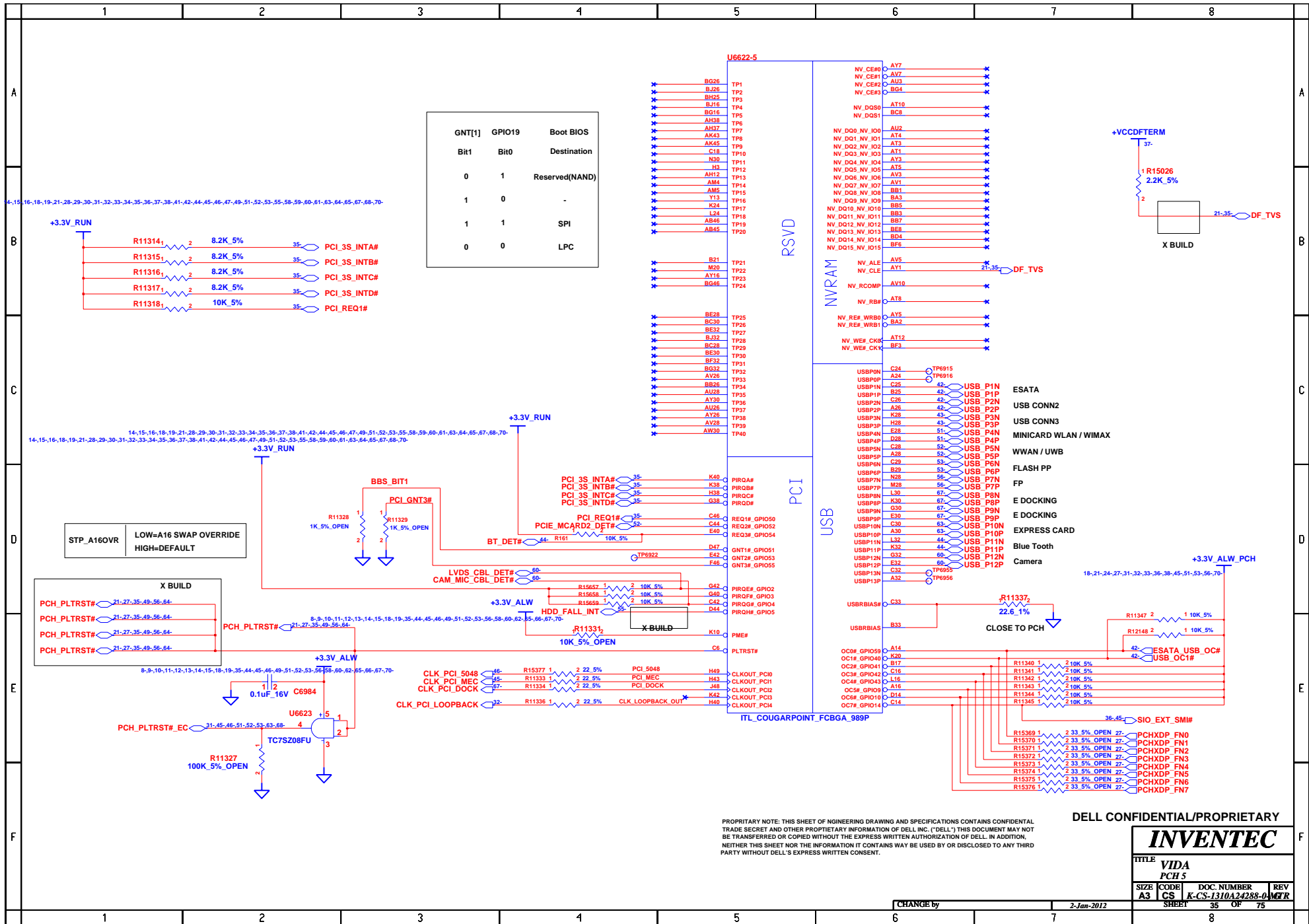
INVENTEC			
TITLE VIDA PCH 3			
SIZE A3	CODE CS	DOC. NUMBER K-CS-1310A24288-0	REV MGR
SHEET 33		OF 75	

CHANGE by 2-Jan-2012



PROPRIETARY NOTE: THIS SHEET OF ENGINEERING DRAWING AND SPECIFICATIONS CONTAINS CONFIDENTIAL TRADE SECRET AND OTHER PROPRIETARY INFORMATION OF DELL INC. ("DELL") THIS DOCUMENT MAY NOT BE TRANSFERRED OR COPIED WITHOUT THE EXPRESS WRITTEN AUTHORIZATION OF DELL. IN ADDITION, NEITHER THIS SHEET NOR THE INFORMATION IT CONTAINS MAY BE USED BY OR DISCLOSED TO ANY THIRD PARTY WITHOUT DELL'S EXPRESS WRITTEN CONSENT.

INVENTEC			
TITLE VIDA PCH 4			
SIZE A3	CODE CS	DOC. NUMBER K-CS-1310A24288-0	REV MGR
CHANGE by		2-Jan-2012	
SHEET		34 OF 75	

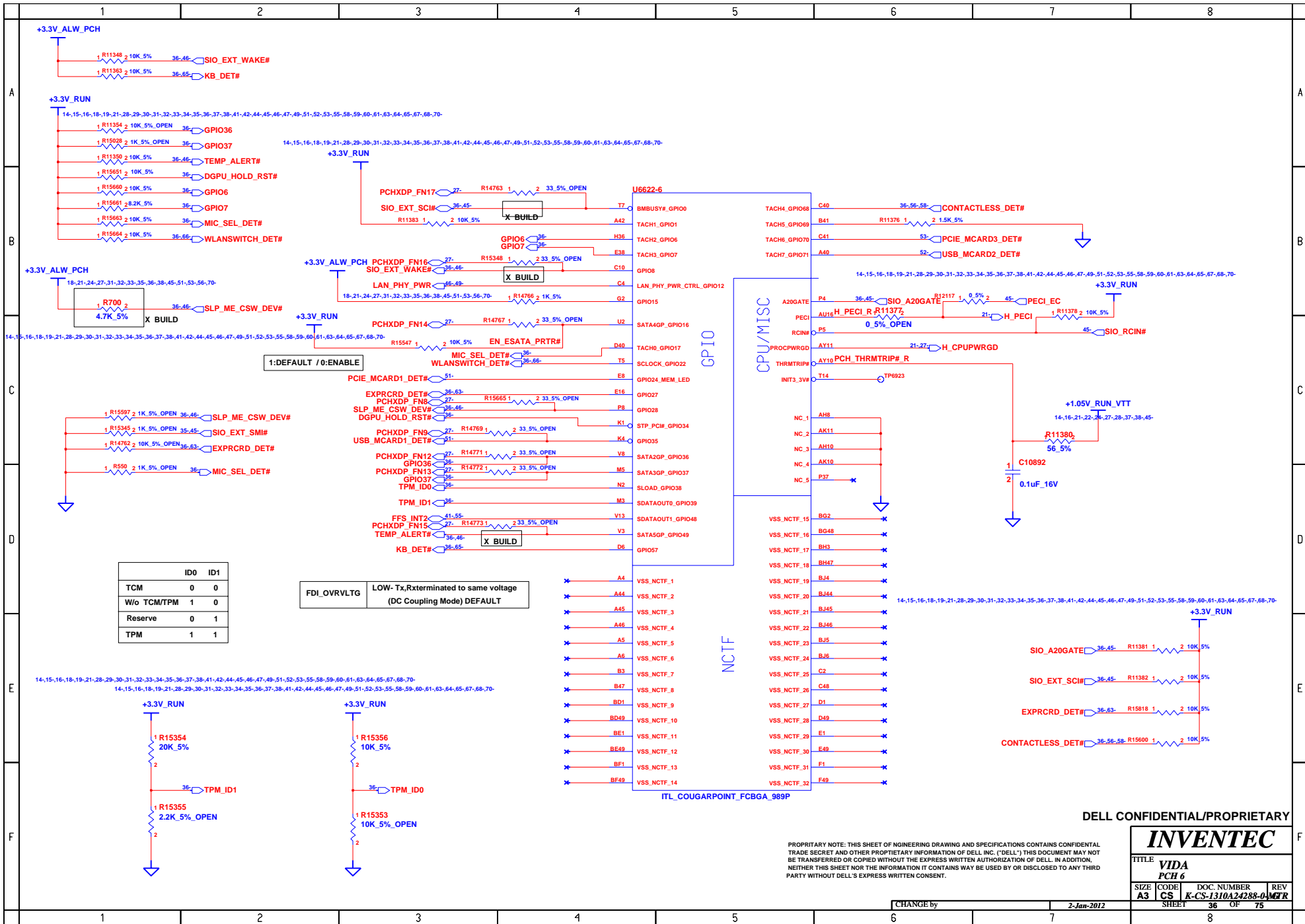


PROPRIETARY NOTE: THIS SHEET OF ENGINEERING DRAWING AND SPECIFICATIONS CONTAINS CONFIDENTIAL TRADE SECRET AND OTHER PROPRIETARY INFORMATION OF DELL INC. ("DELL") THIS DOCUMENT MAY NOT BE TRANSFERRED OR COPIED WITHOUT THE EXPRESS WRITTEN AUTHORIZATION OF DELL. IN ADDITION, NEITHER THIS SHEET NOR THE INFORMATION IT CONTAINS MAY BE USED BY OR DISCLOSED TO ANY THIRD PARTY WITHOUT DELL'S EXPRESS WRITTEN CONSENT.

DELL CONFIDENTIAL/PROPRIETARY

INVENTEC

TITLE VIDA PCH 5			
SIZE A3	CODE CS	DOC. NUMBER K-CS-1310A24288-0	REV MTR
CHANGE by		2-Jan-2012	
SHEET		35	OF 75



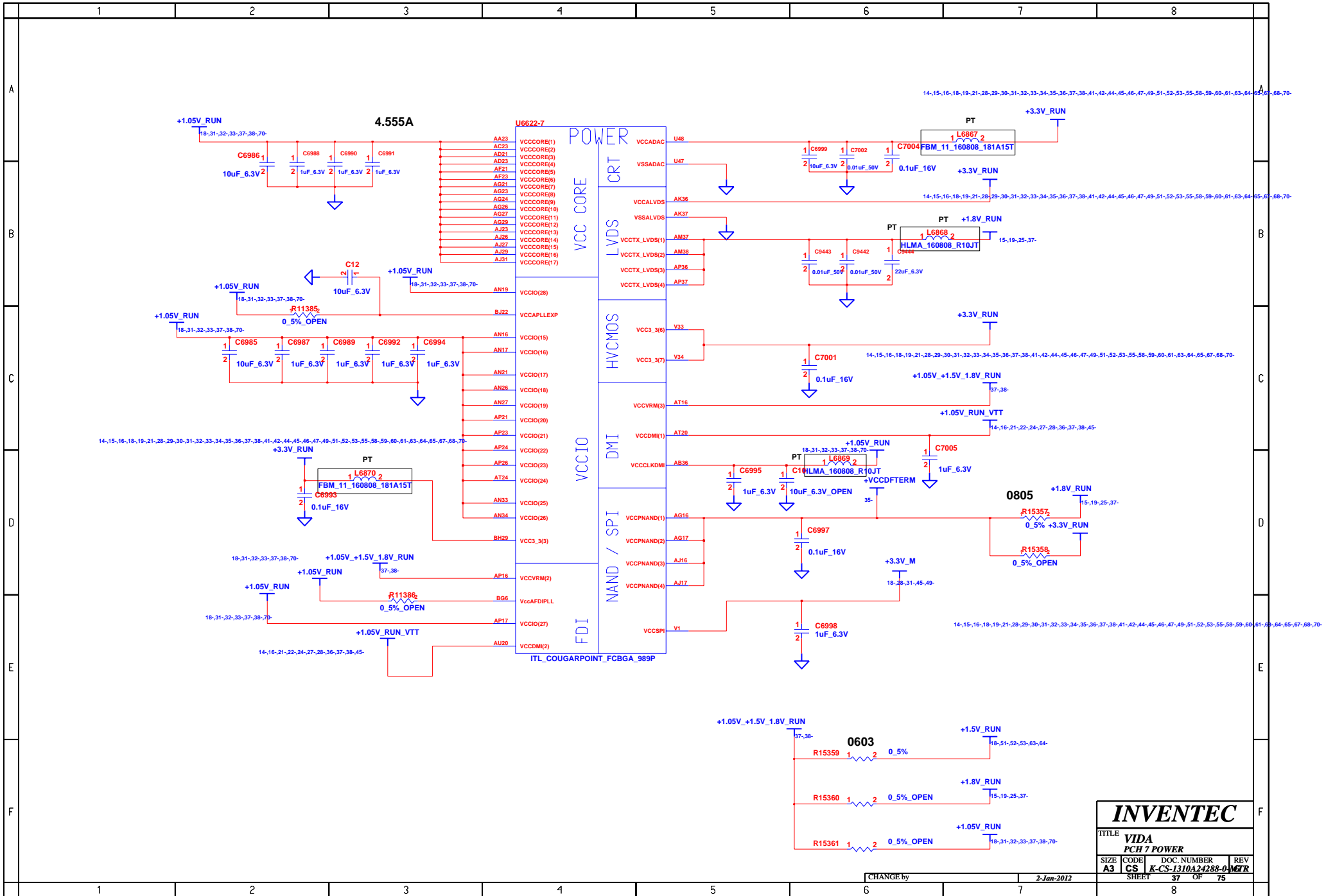
DELL CONFIDENTIAL/PROPRIETARY

INVENTEC

TITLE VIDA PCH 6			
SIZE A3	CODE CS	DOC. NUMBER K-CS-1310A24288-0	REV MGR
SHEET 36		OF 75	

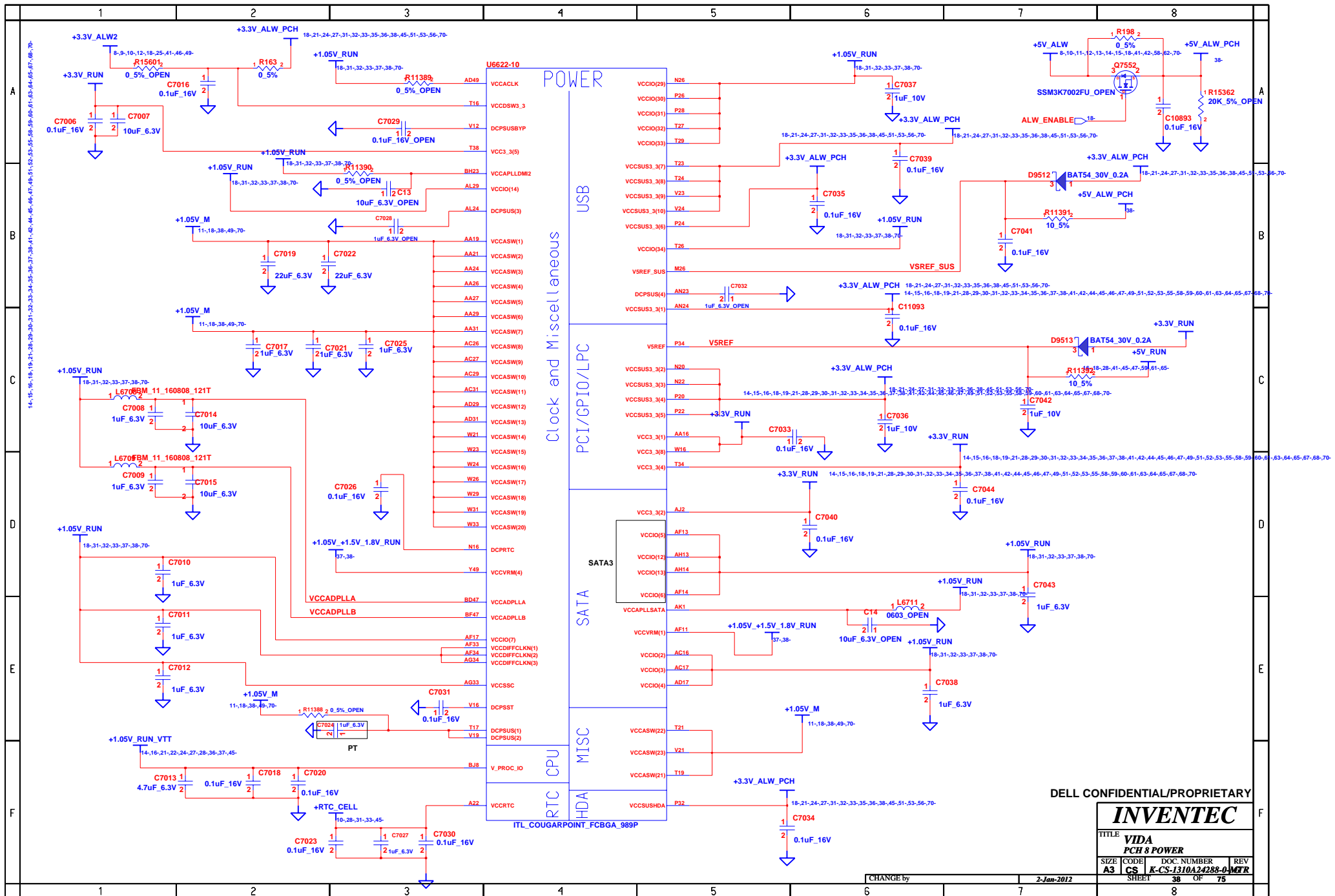
PROPRIETARY NOTE: THIS SHEET OF ENGINEERING DRAWING AND SPECIFICATIONS CONTAINS CONFIDENTIAL TRADE SECRET AND OTHER PROPRIETARY INFORMATION OF DELL INC. (DELL) THIS DOCUMENT MAY NOT BE TRANSFERRED OR COPIED WITHOUT THE EXPRESS WRITTEN AUTHORIZATION OF DELL. IN ADDITION, NEITHER THIS SHEET NOR THE INFORMATION IT CONTAINS MAY BE USED BY OR DISCLOSED TO ANY THIRD PARTY WITHOUT DELL'S EXPRESS WRITTEN CONSENT.

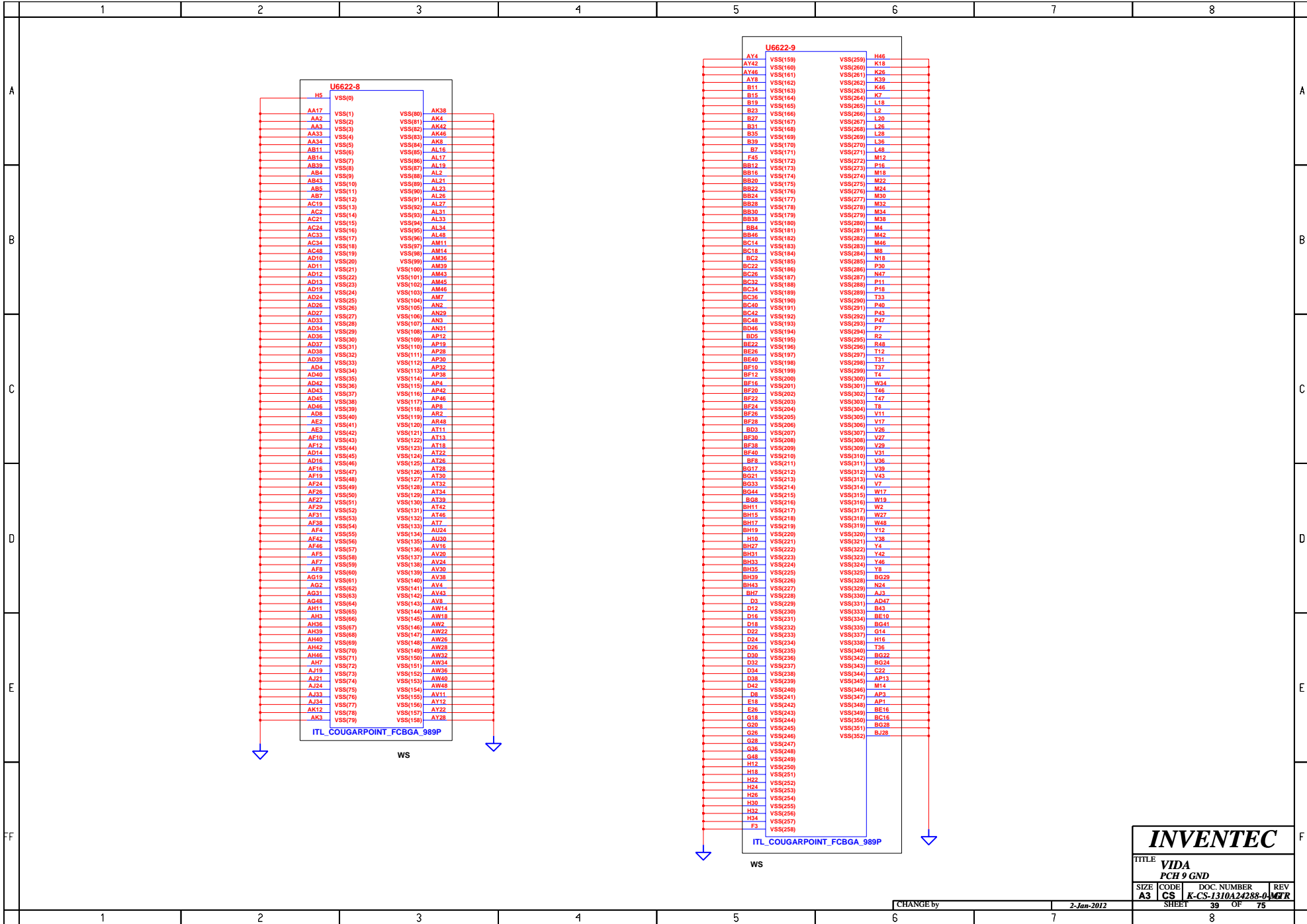
CHANGE by **2-Jan-2012**



INVENTEC			
TITLE VIDA PCH 7 POWER			
SIZE A3	CODE CS	DOC NUMBER K-CS-1310A24288-0	REV MTR
SHEET 37		OF 75	

CHANGE by 2-Jan-2012



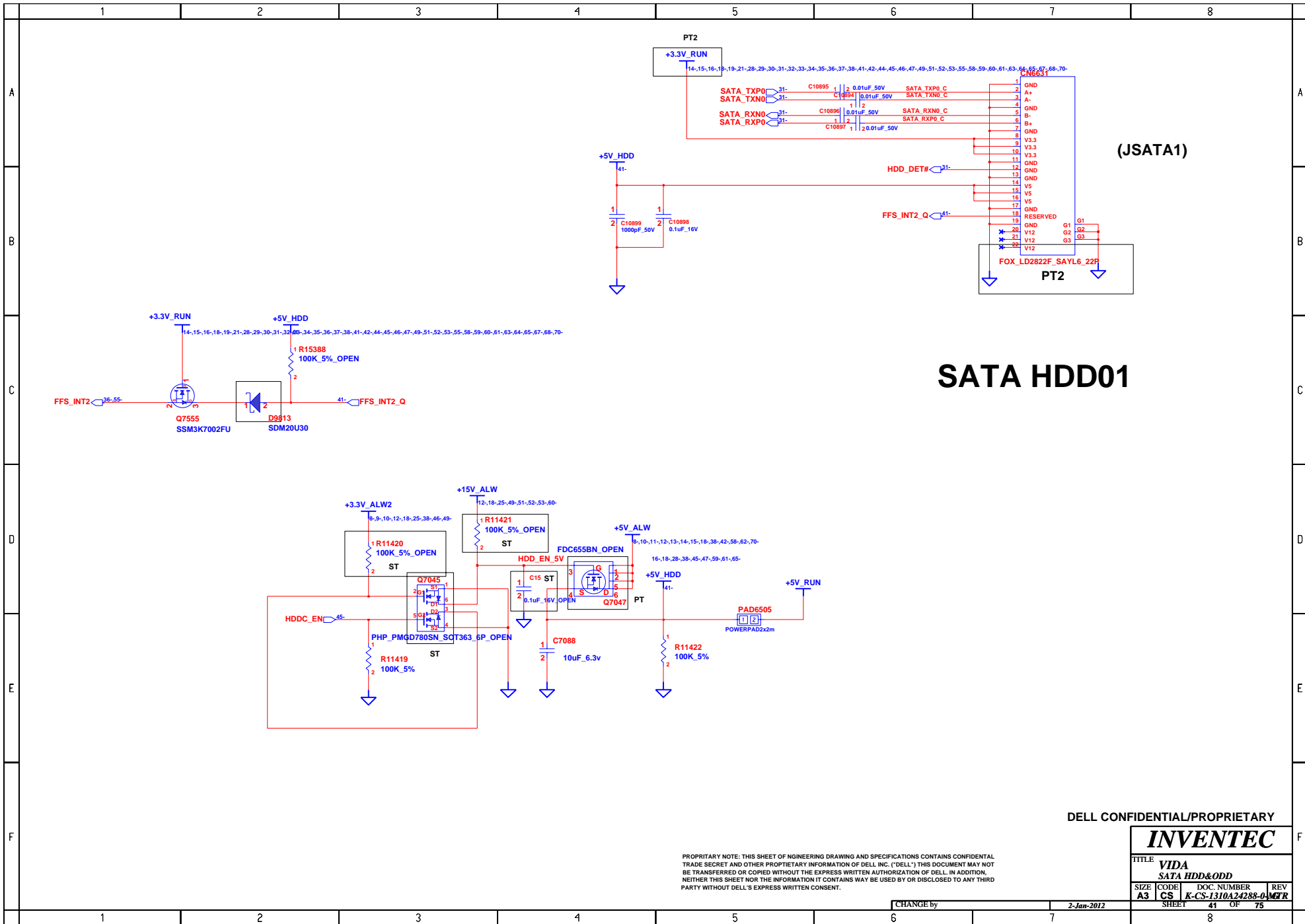


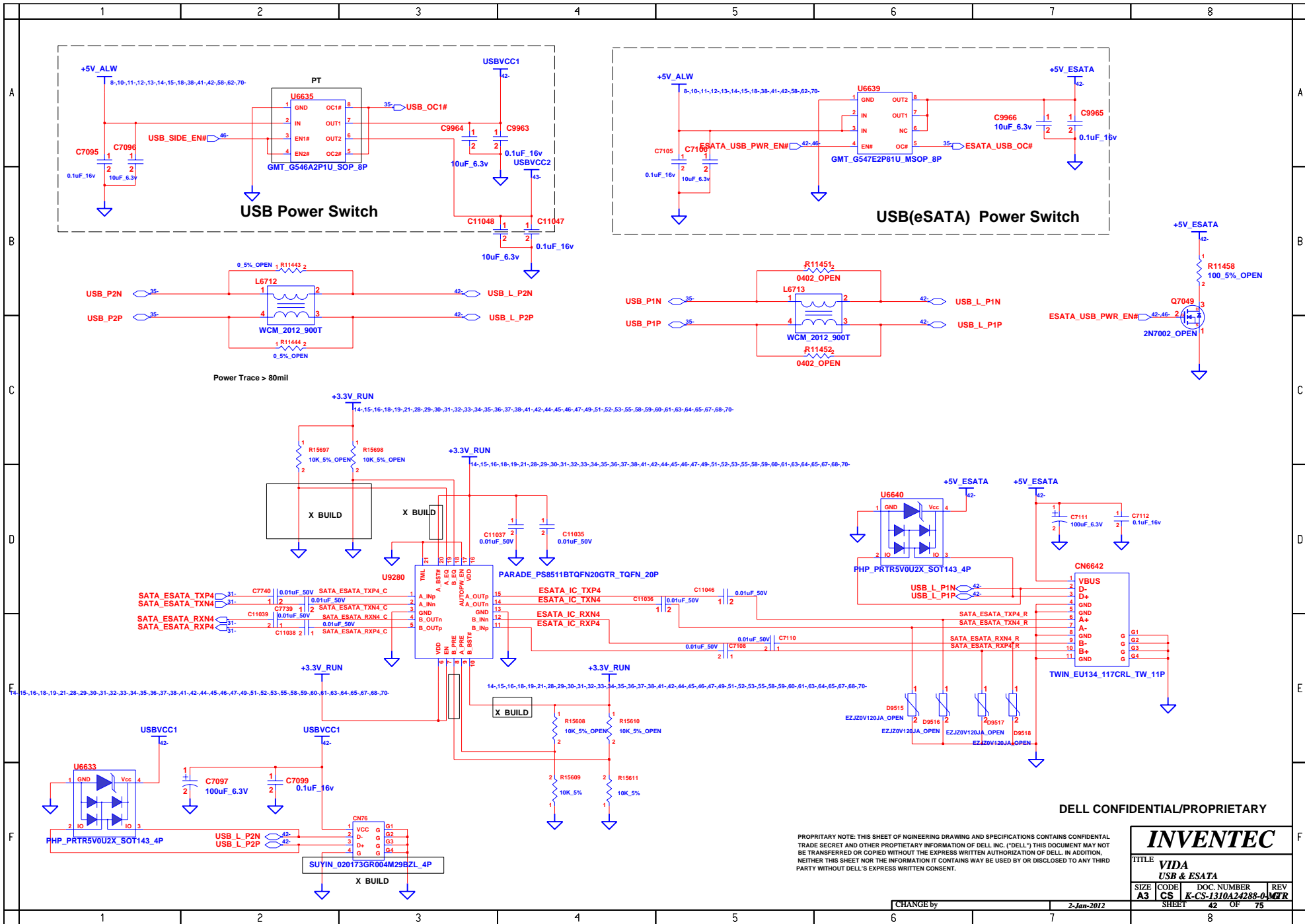
INVENTEC			
TITLE VIDA			
PCH 9 GND			
SIZE	CODE	DOC. NUMBER	REV
A3	CS	K-CS-1310A24288-0	MGR
SHEET		39	OF 75

CHANGE by 2-Jan-2012

BLANK

INVENTEC			
TITLE <i>VIDA</i>			
CAMERA			
SIZE	CODE	DOC. NUMBER	REV
A3	CS	K-CS-1310A24288-01	MTR
CHANGE by		2-Jan-2012	
SHEET		40	OF 75



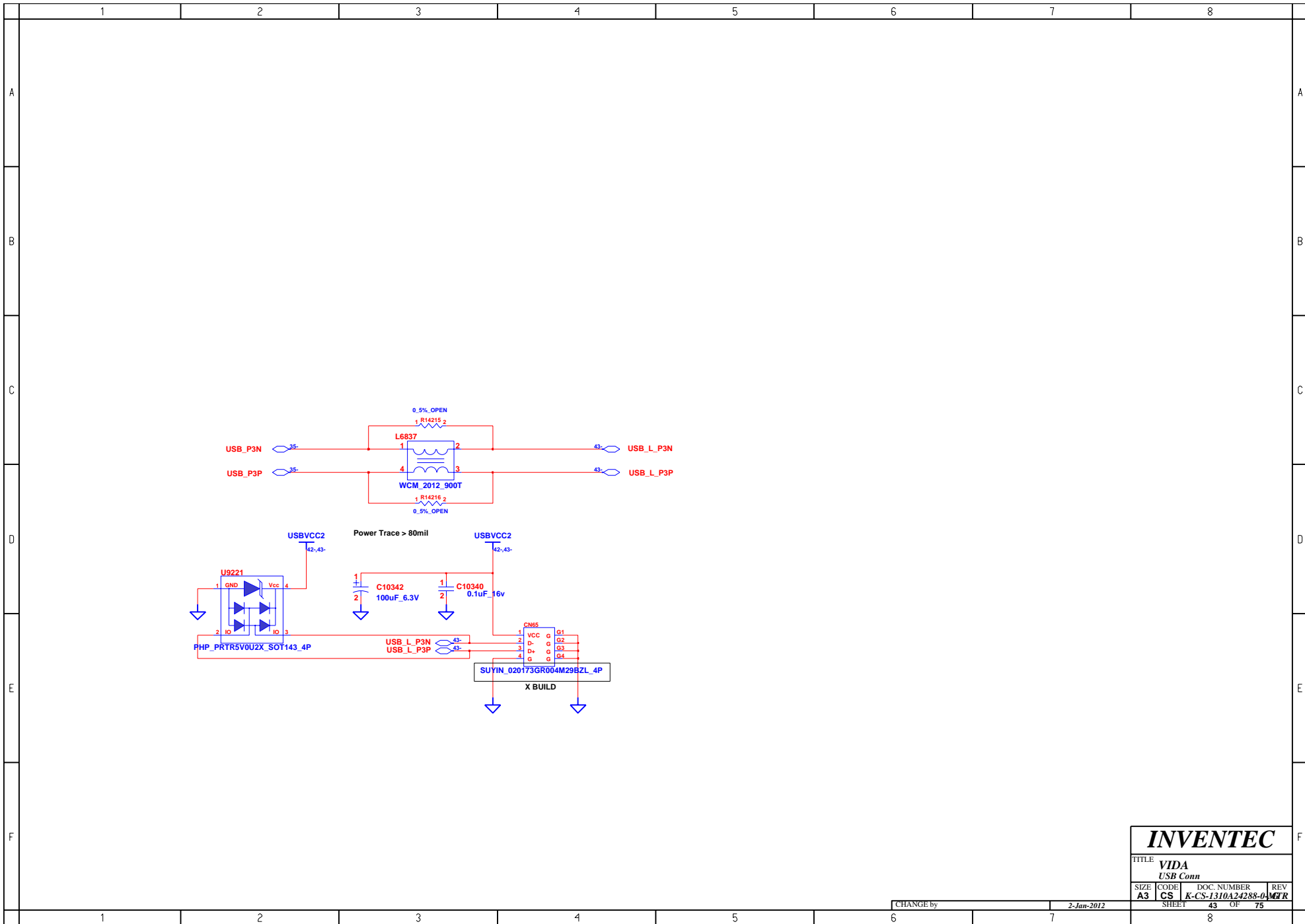


DELL CONFIDENTIAL/PROPRIETARY

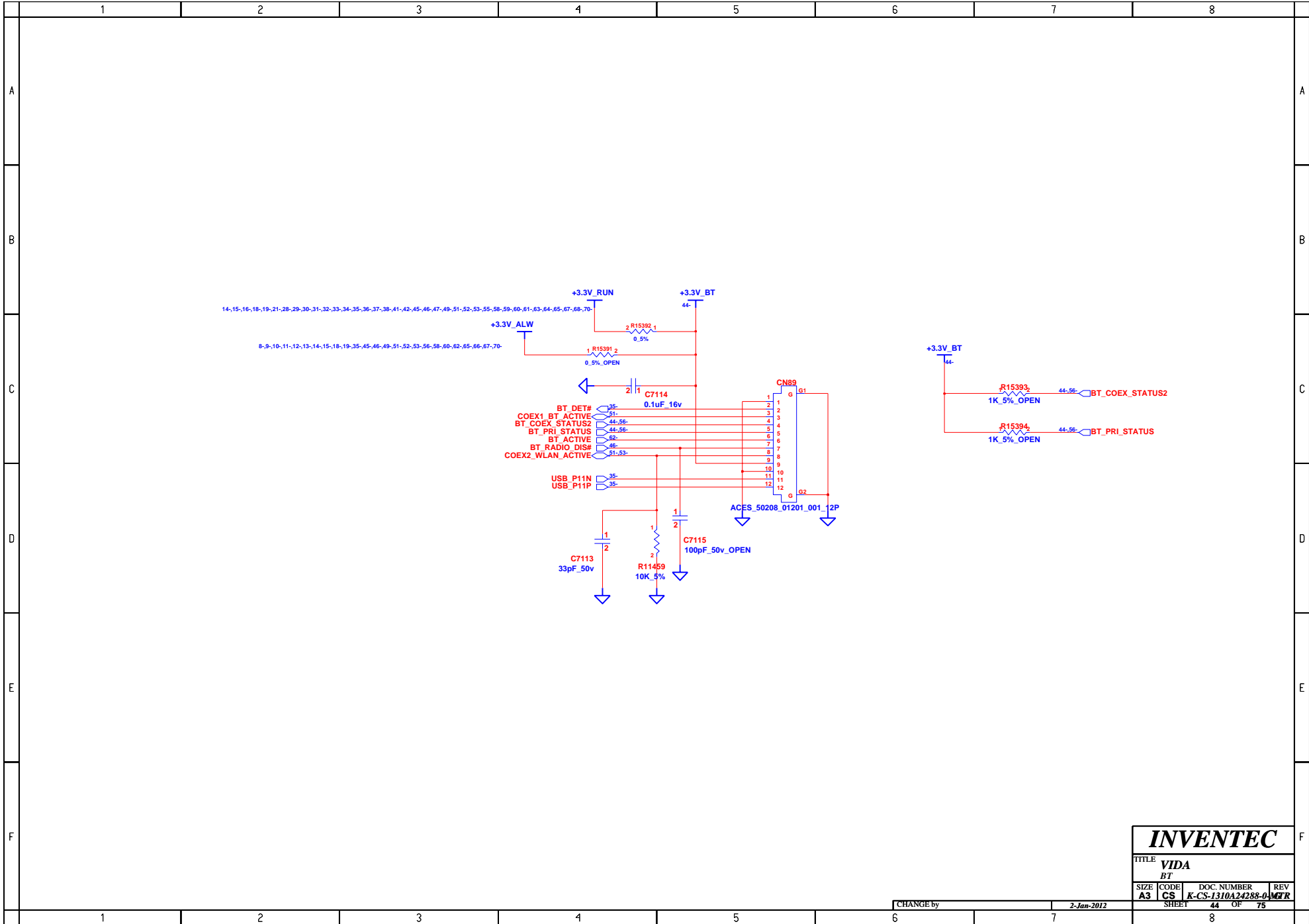
PROPRIETARY NOTE: THIS SHEET OF ENGINEERING DRAWING AND SPECIFICATIONS CONTAINS CONFIDENTIAL TRADE SECRET AND OTHER PROPRIETARY INFORMATION OF DELL INC. ("DELL") THIS DOCUMENT MAY NOT BE TRANSFERRED OR COPIED WITHOUT THE EXPRESS WRITTEN AUTHORIZATION OF DELL. IN ADDITION, NEITHER THIS SHEET NOR THE INFORMATION IT CONTAINS MAY BE USED BY OR DISCLOSED TO ANY THIRD PARTY WITHOUT DELL'S EXPRESS WRITTEN CONSENT.

INVENTEC			
TITLE VIDA USB & ESATA			
SIZE A3	CODE CS	DOC NUMBER K-CS-1310A24288-0	REV MGR
SHEET 42		OF 75	

CHANGE by **2-Jan-2012**



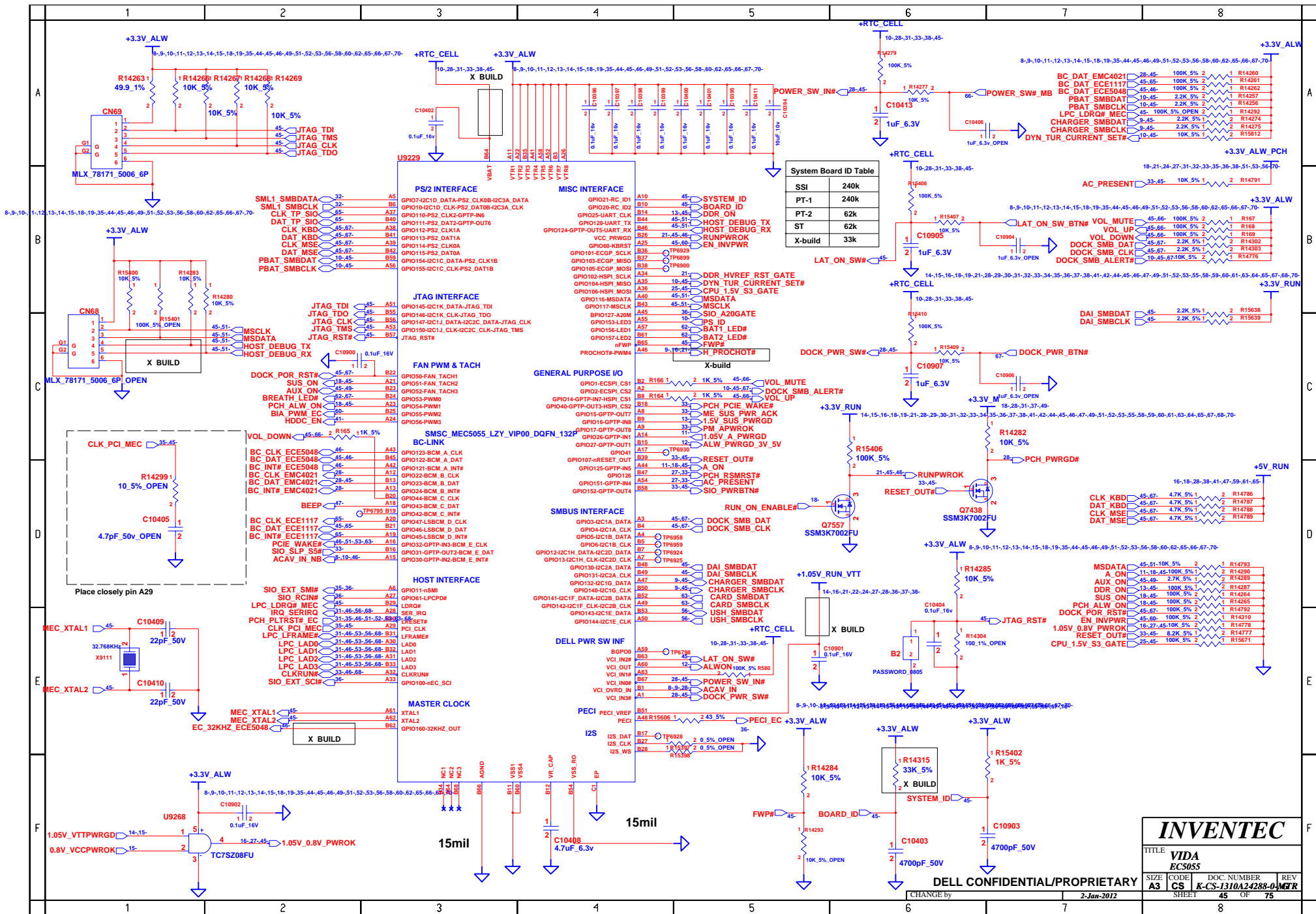
INVENTEC			
TITLE VIDA			
USB Conn			
SIZE A3	CODE CS	DOC. NUMBER K-CS-1310A24288-01	REV MTR
CHANGE by		2-Jan-2012	
SHEET		43	OF 75



INVENTEC

TITLE			
VIDA			
BT			
SIZE	CODE	DOC. NUMBER	REV
A3	CS	K-CS-1310A24288-0	MGR
SHEET		44	OF 75

CHANGE by 2-Jan-2012



System Board ID Table

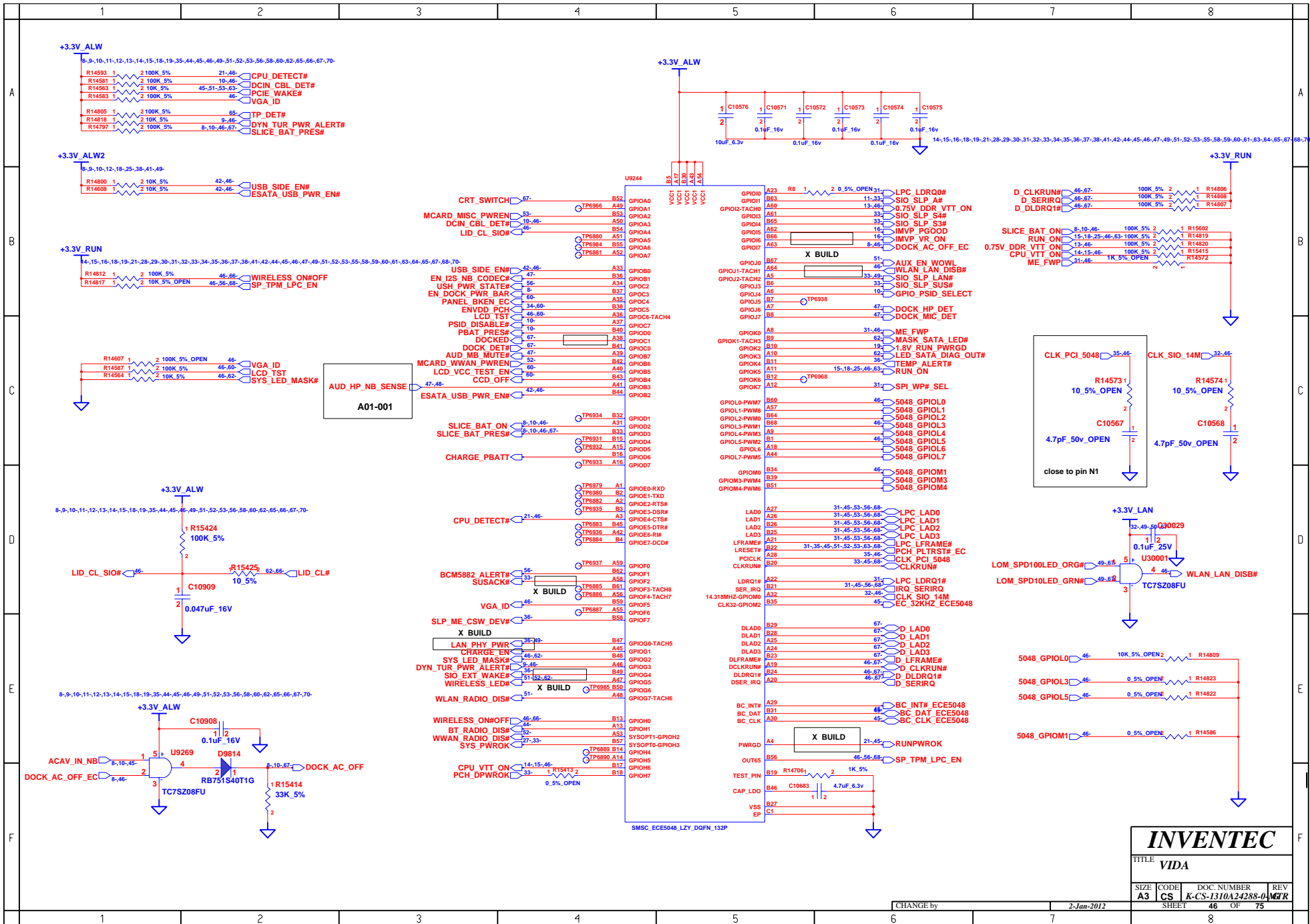
SSI	240k
PT-1	240k
PT-2	62k
ST	62k
X-build	33k

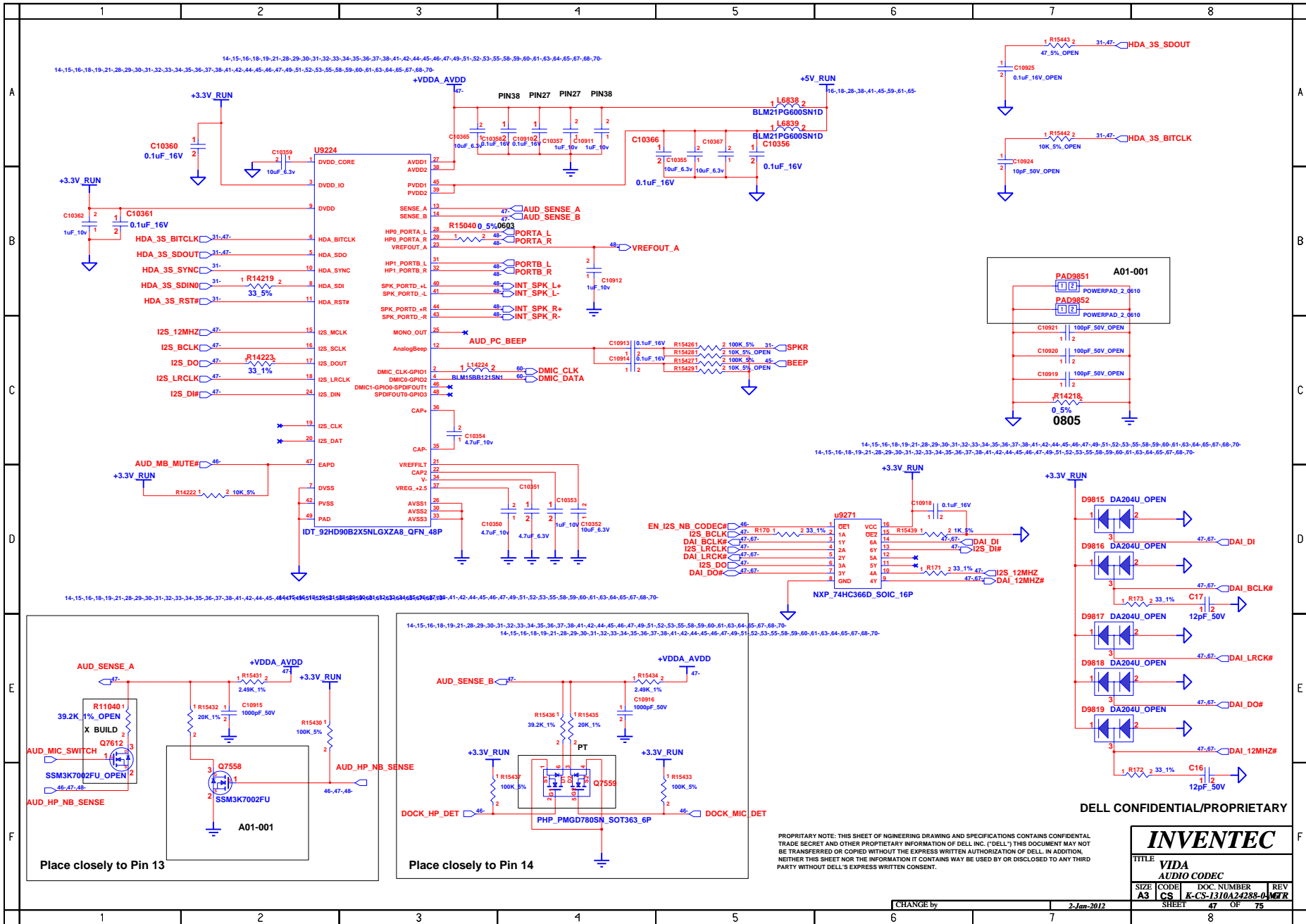
INVENTEC

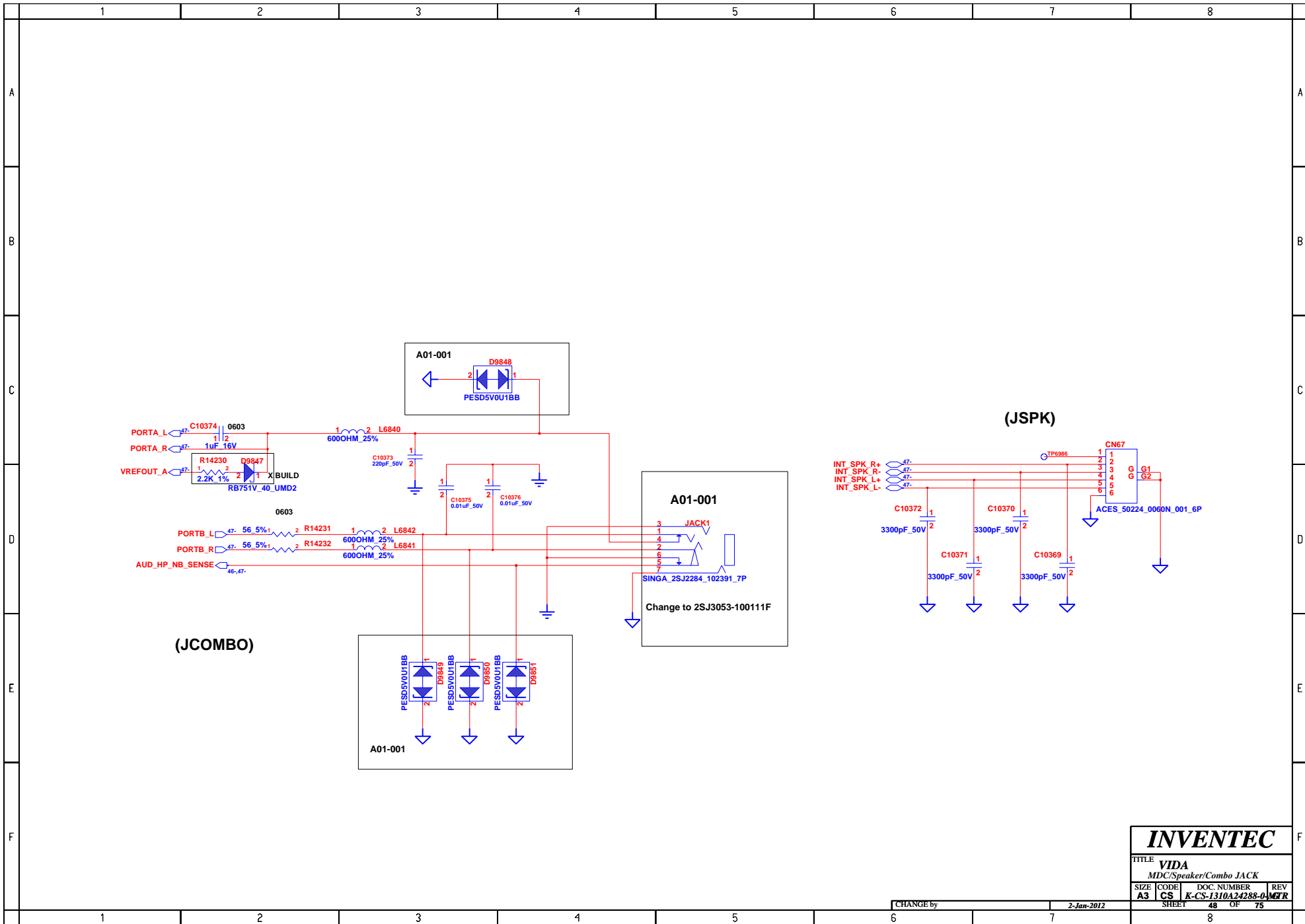
TITLE: VIDA ECS505

DELL CONFIDENTIAL/PROPRIETARY

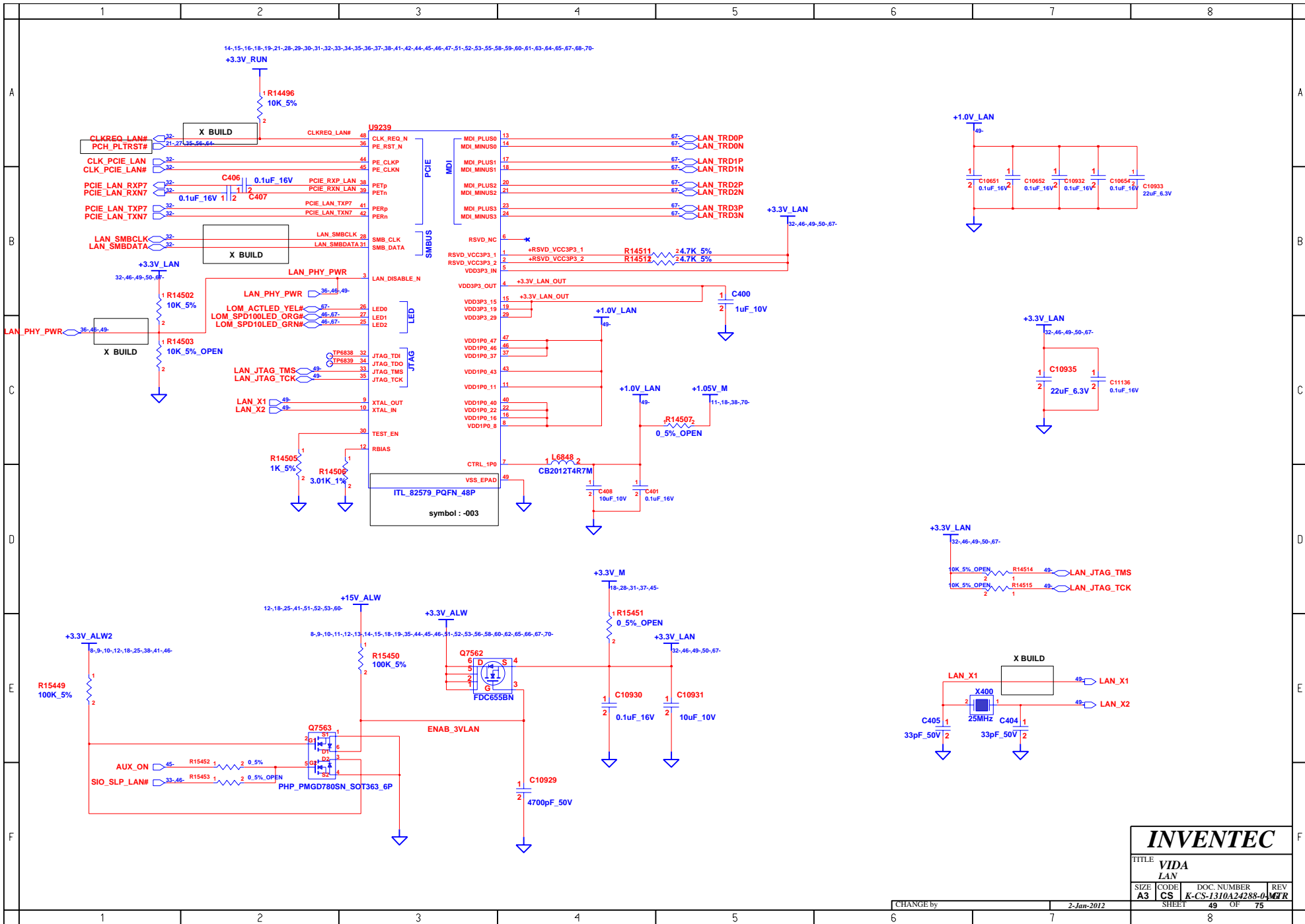
SIZE A3	CODE CS	DOC. NUMBER K-CS-1310A24288-0-NGR	REV
CHANGE BY		2-Jan-2012	45 OF 75



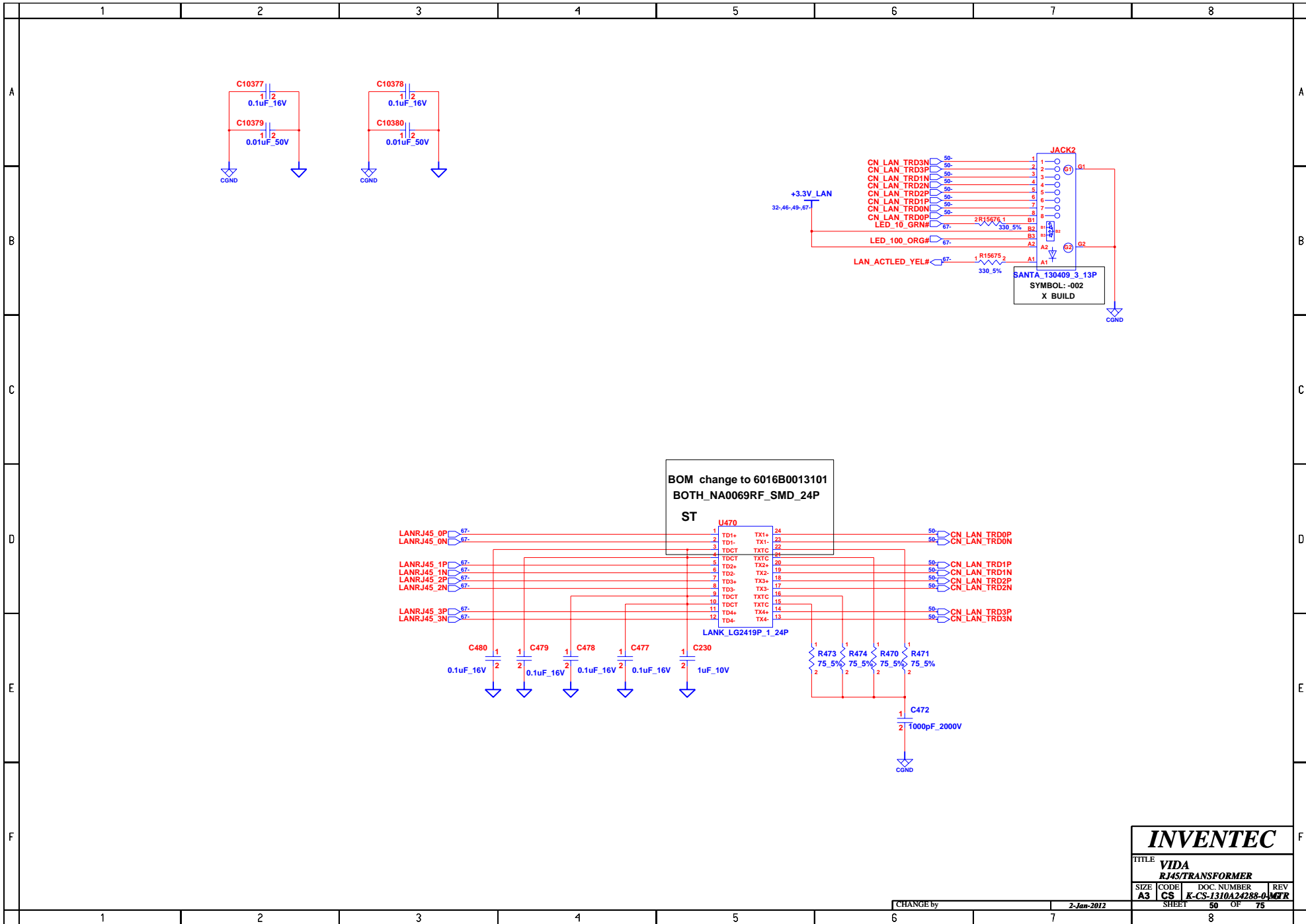


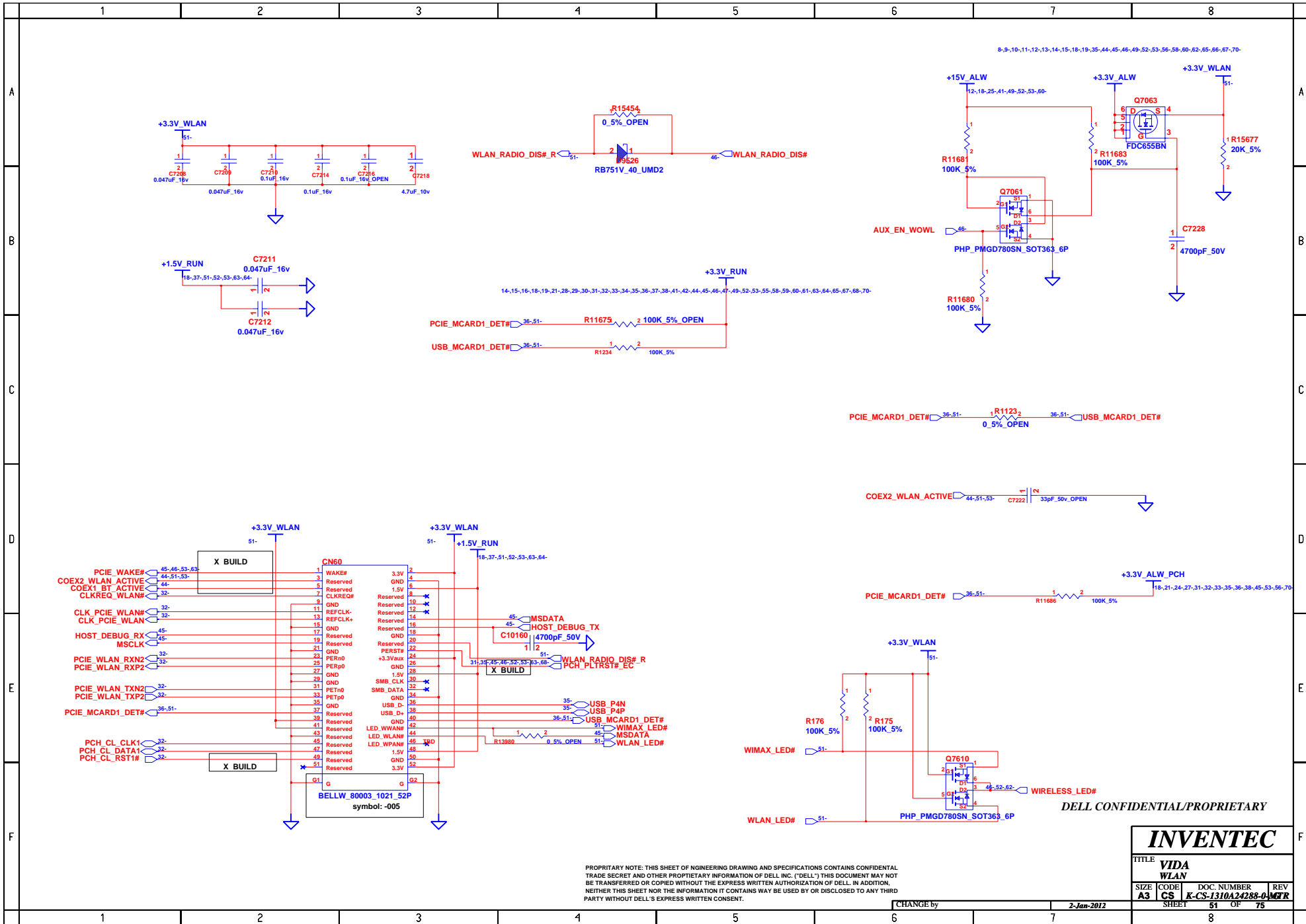


INVENTEC			
TITLE VIDA			
MDC/Speaker/Combo JACK			
SIZE A3	CODE CS	DOC. NUMBER K-CS-1310A24288-0	REV MGR
CHANGE by		2-Jan-2012	SHEET 48 OF 75



INVENTEC			
TITLE VIDA LAN			
SIZE A3	CODE CS	DOC. NUMBER K-CS-1310A24288-01	REV MGR
CHANGE by		2-Jan-2012	
SHEET		49 OF 75	

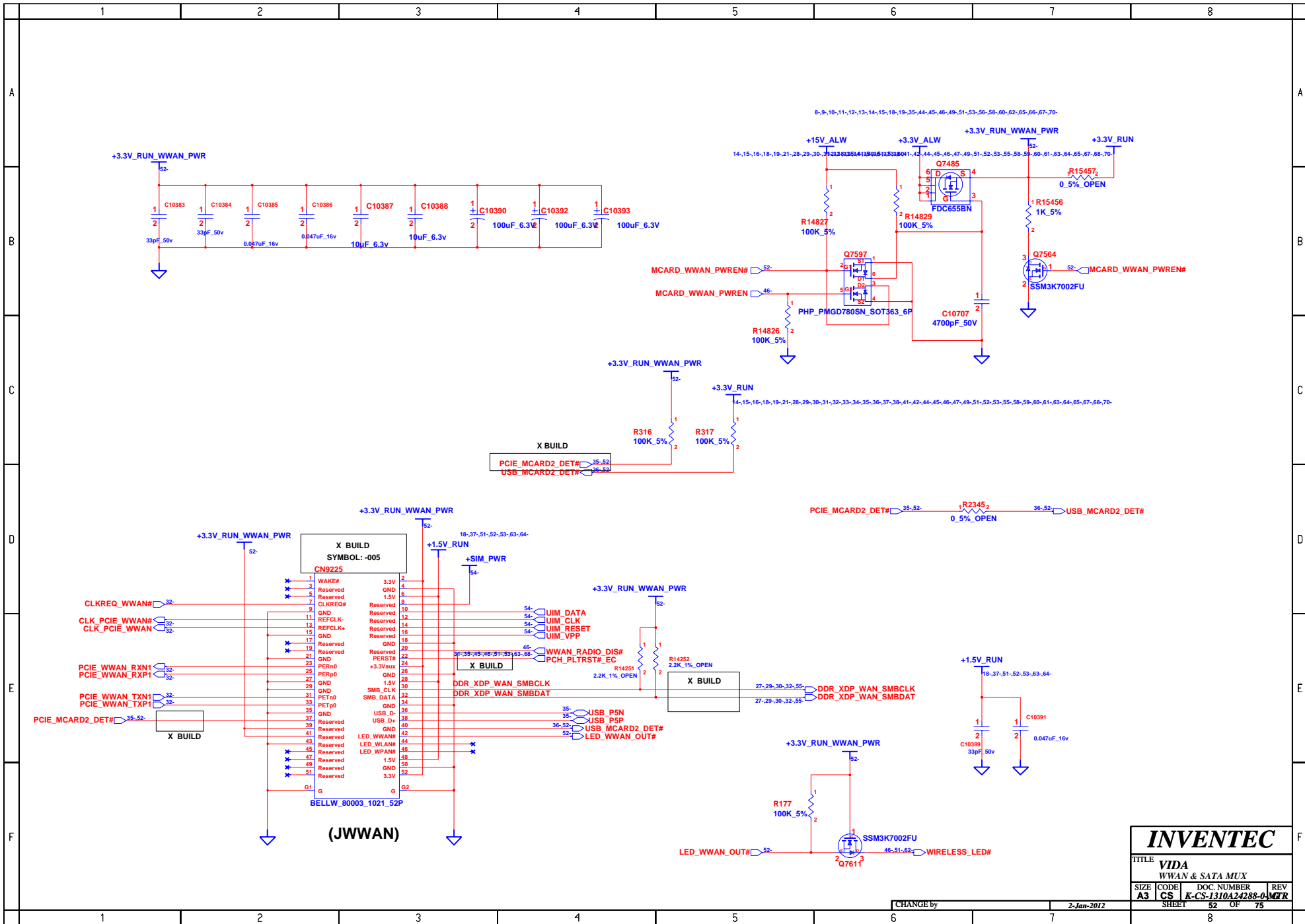




INVENTEC

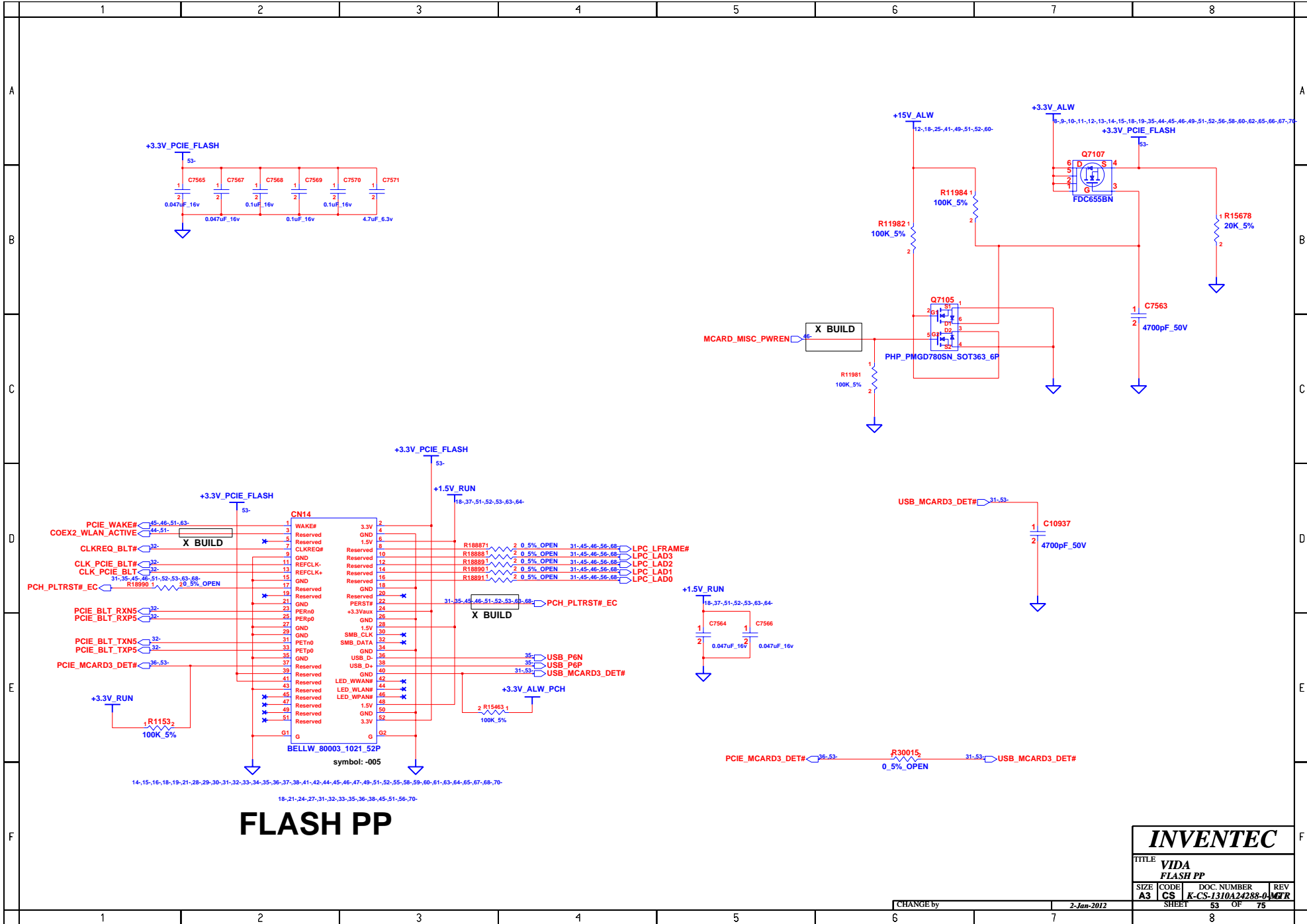
TITLE			
VIDA WLAN			
SIZE	CODE	DOC. NUMBER	REV
A3	CS	K-CS-1310A24288-0	MGR
SHEET		51	OF 75

PROPRIETARY NOTE: THIS SHEET OF ENGINEERING DRAWING AND SPECIFICATIONS CONTAINS CONFIDENTIAL TRADE SECRET AND OTHER PROPRIETARY INFORMATION OF DELL INC. ("DELL") THIS DOCUMENT MAY NOT BE TRANSFERRED OR COPIED WITHOUT THE EXPRESS WRITTEN AUTHORIZATION OF DELL. IN ADDITION, NEITHER THIS SHEET NOR THE INFORMATION IT CONTAINS MAY BE USED BY OR DISCLOSED TO ANY THIRD PARTY WITHOUT DELL'S EXPRESS WRITTEN CONSENT.



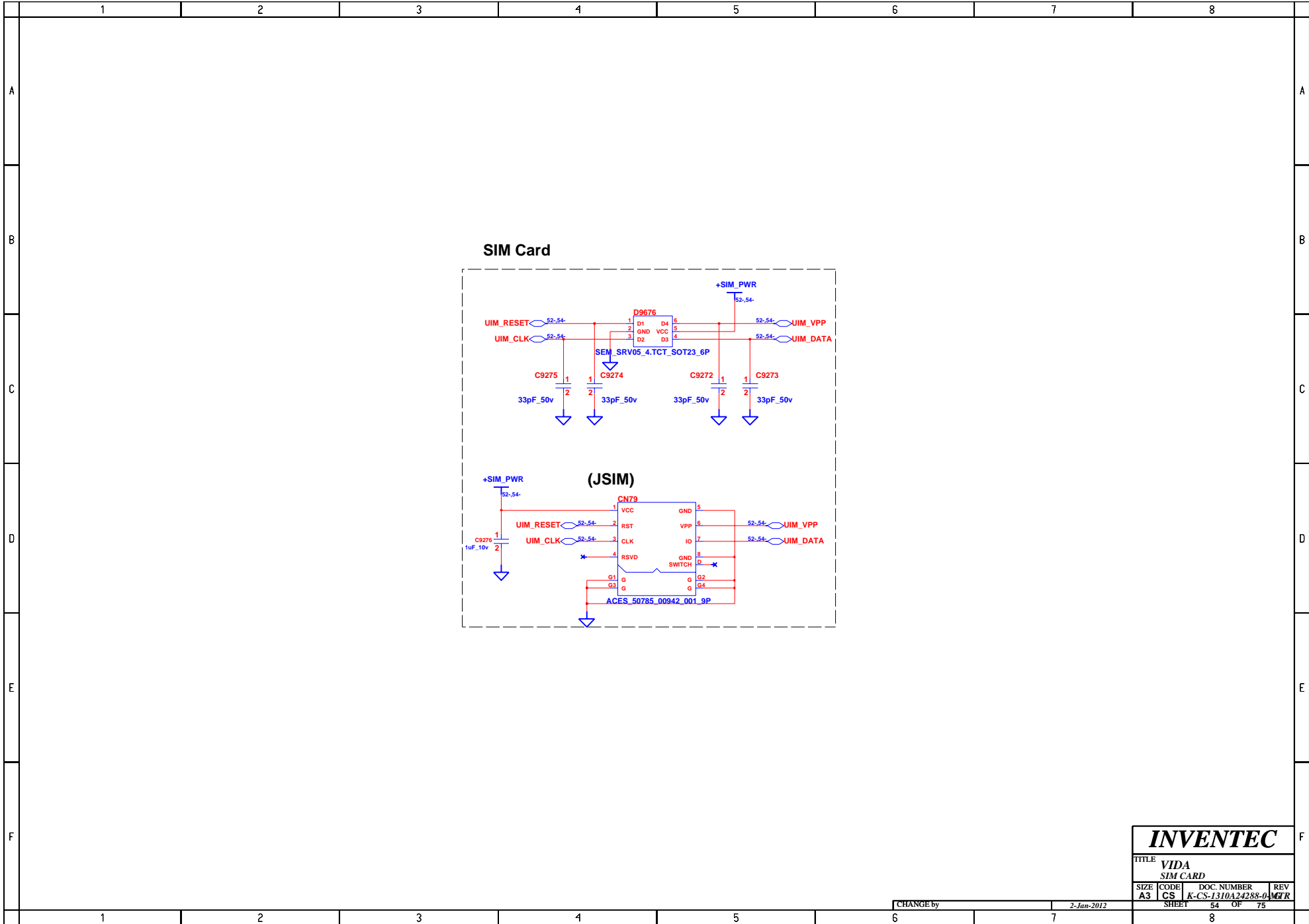
INVENTEC			
TITLE VIDA WWAN & SATA MUX			
SIZE A3	CODE CS	DOC. NUMBER K-CS-1310A24288-0	REV MGR
SHEET 52		OF 75	

CHANGE by 2-Jan-2012



FLASH PP

INVENTEC			
TITLE VIDA FLASH PP			
SIZE A3	CODE CS	DOC. NUMBER K-CS-1310A24288-0	REV MGR
CHANGE by		2-Jan-2012	
SHEET		53 OF 75	

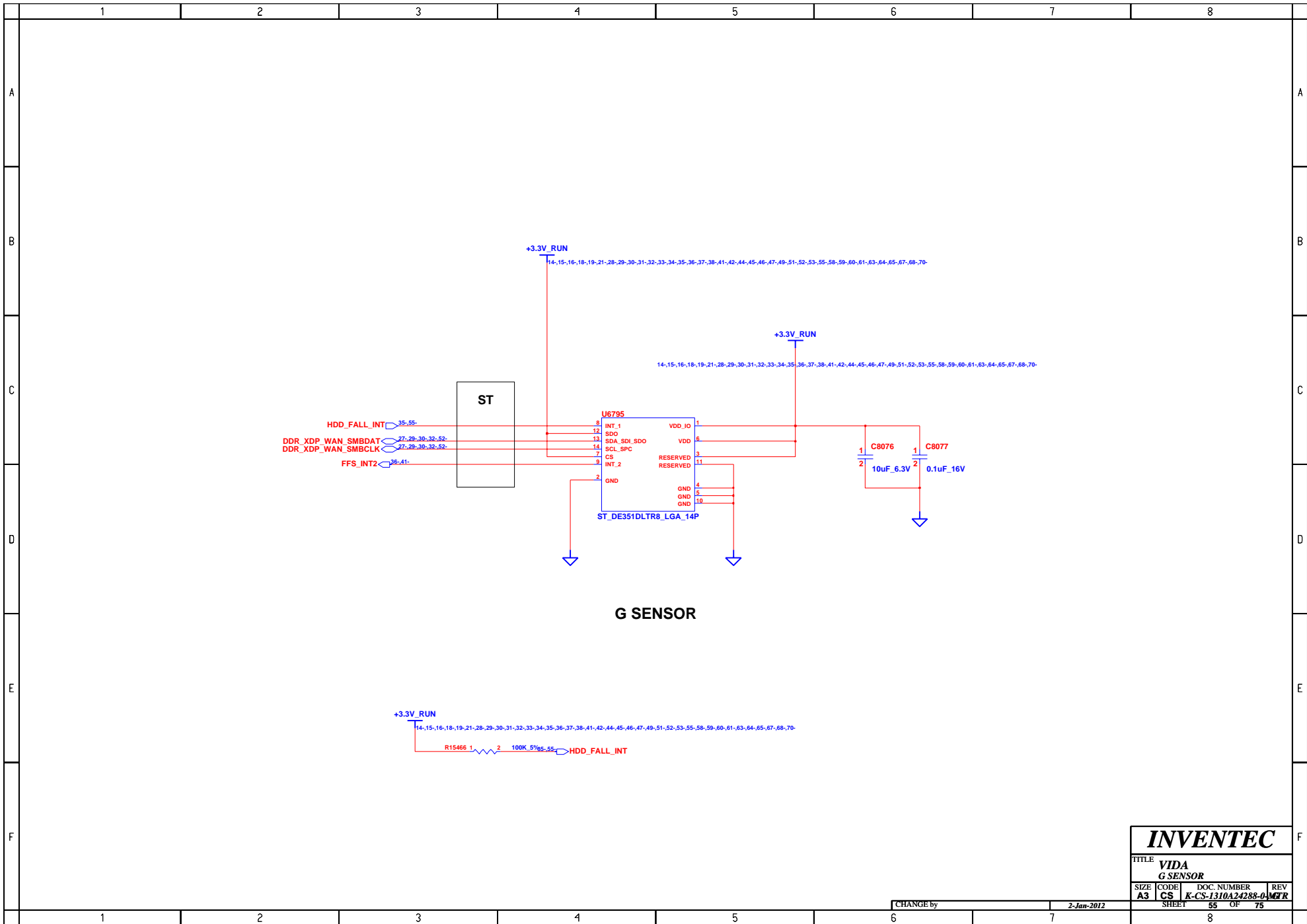


INVENTEC

TITLE
VIDA
SIM CARD

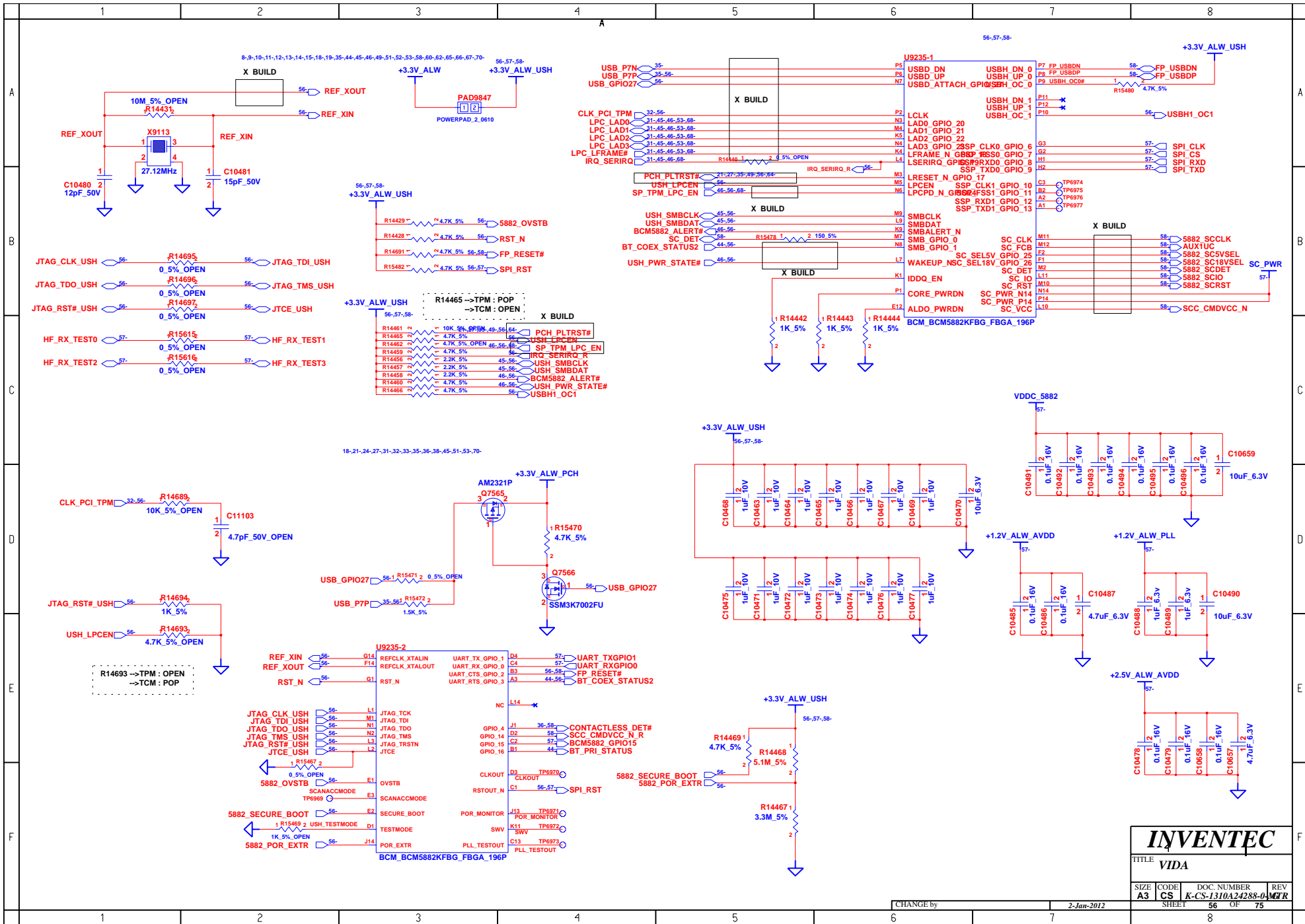
SIZE A3	CODE CS	DOC. NUMBER K-CS-1310A24288-01	REV MGR
SHEET		54	OF 75

CHANGE by 2-Jan-2012

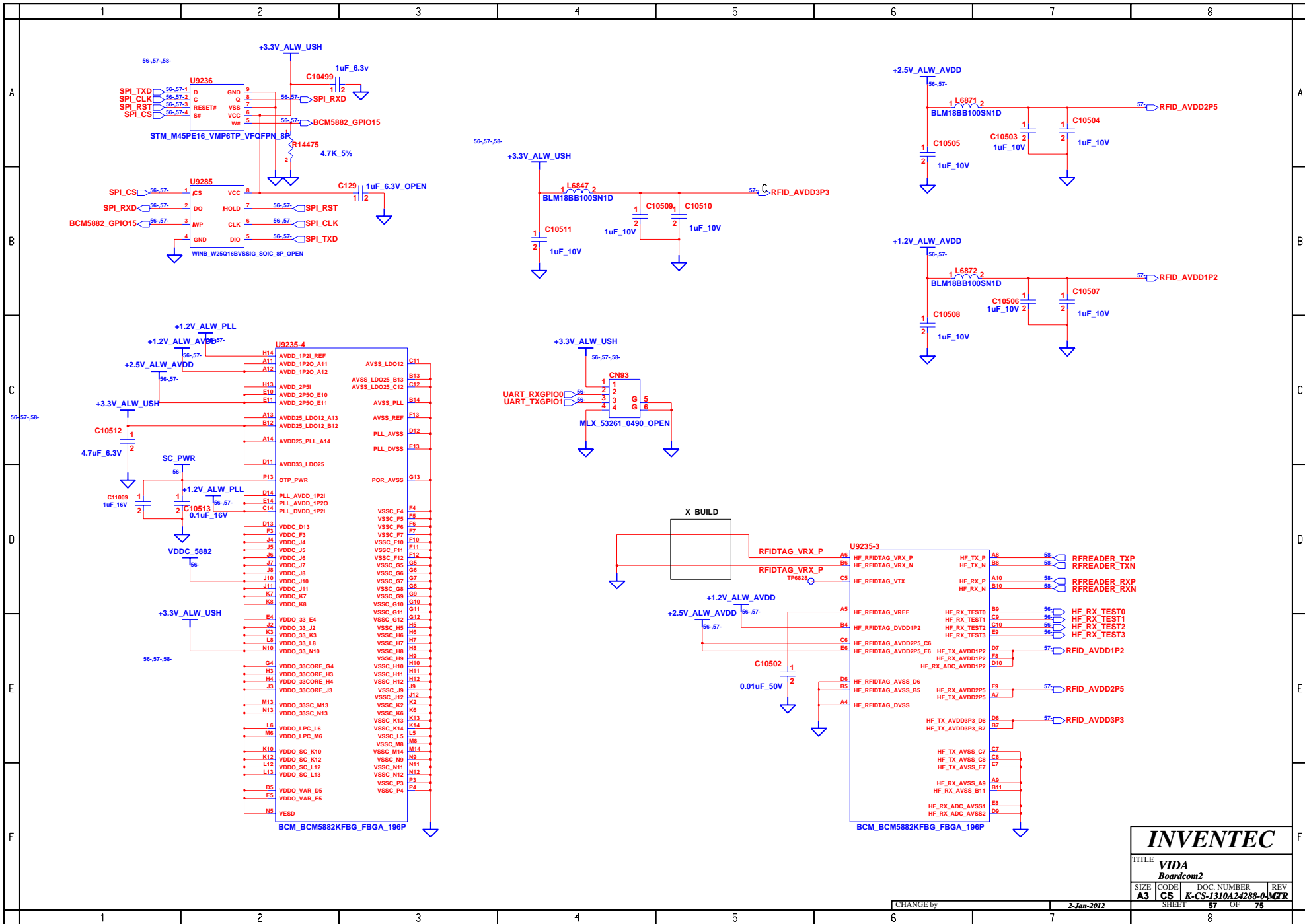


G SENSOR

INVENTEC			
TITLE VIDA			
G SENSOR			
SIZE A3	CODE CS	DOC. NUMBER K-CS-1310A24288-0	REV MGR
CHANGE by		2-Jan-2012	
SHEET		55 OF 75	

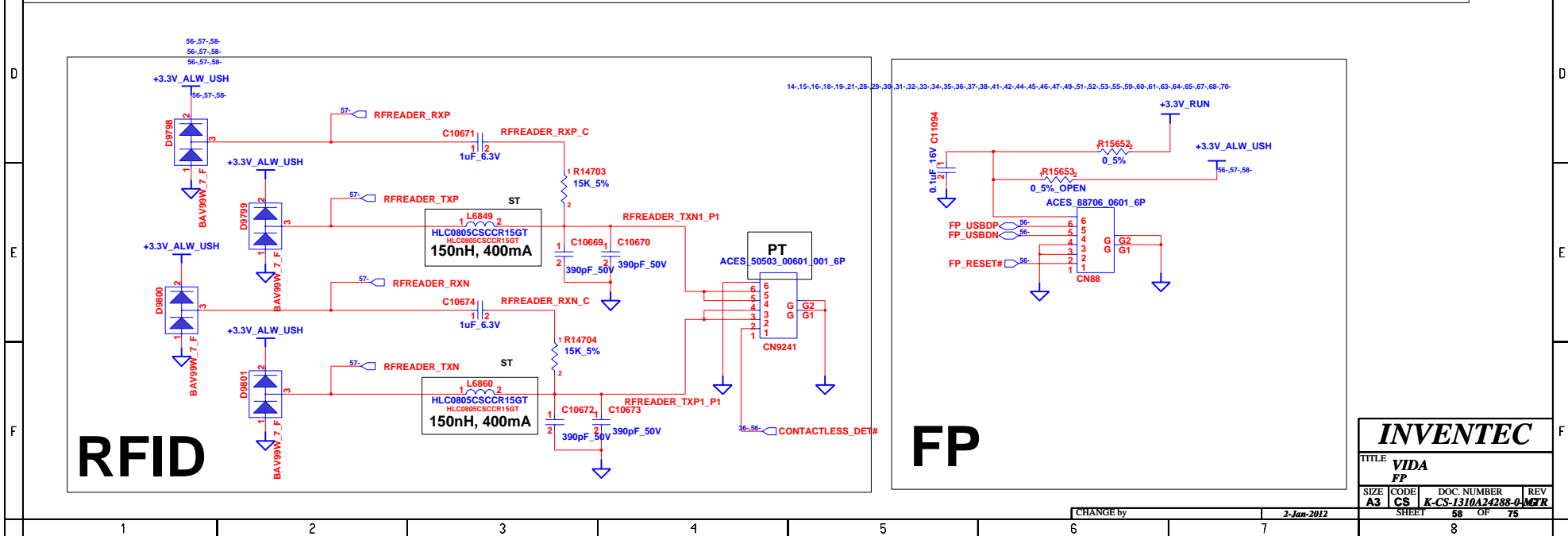
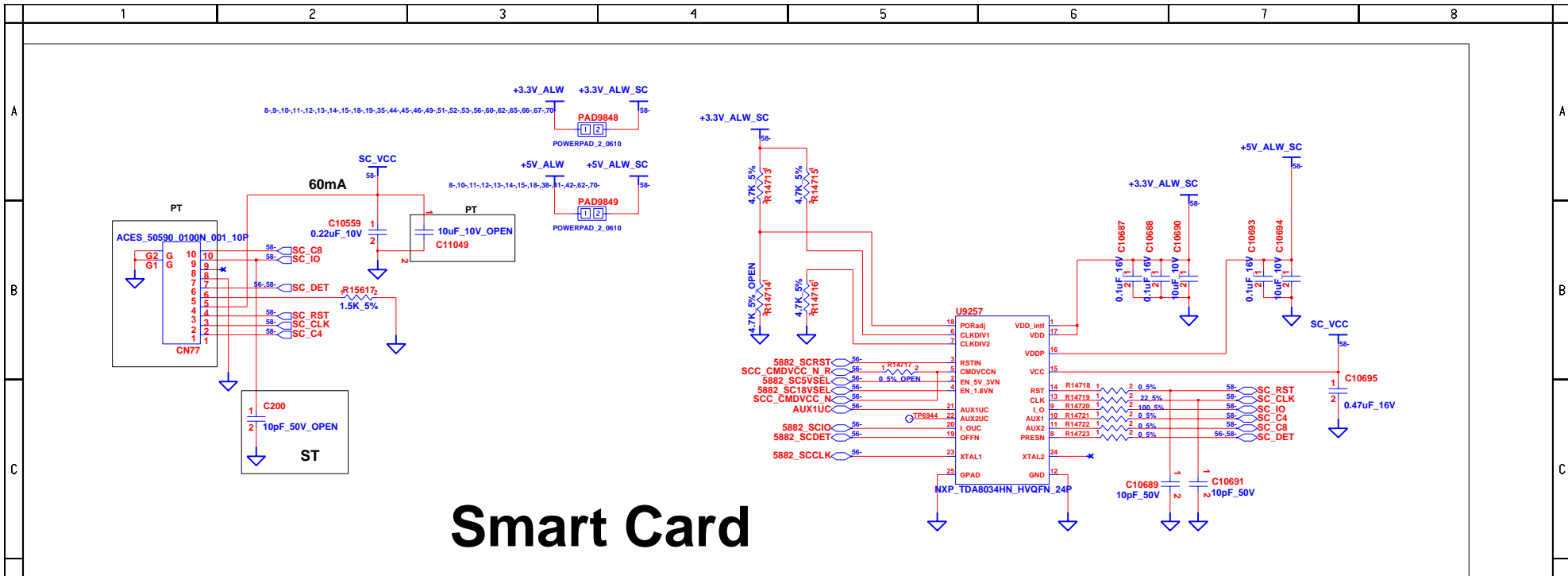


INVENTEC			
TITLE VIDA			
SIZE A3	CODE CS	DOC NUMBER K-CS-1310A24288-0	REV MGR
SHEET 56		OF 75	

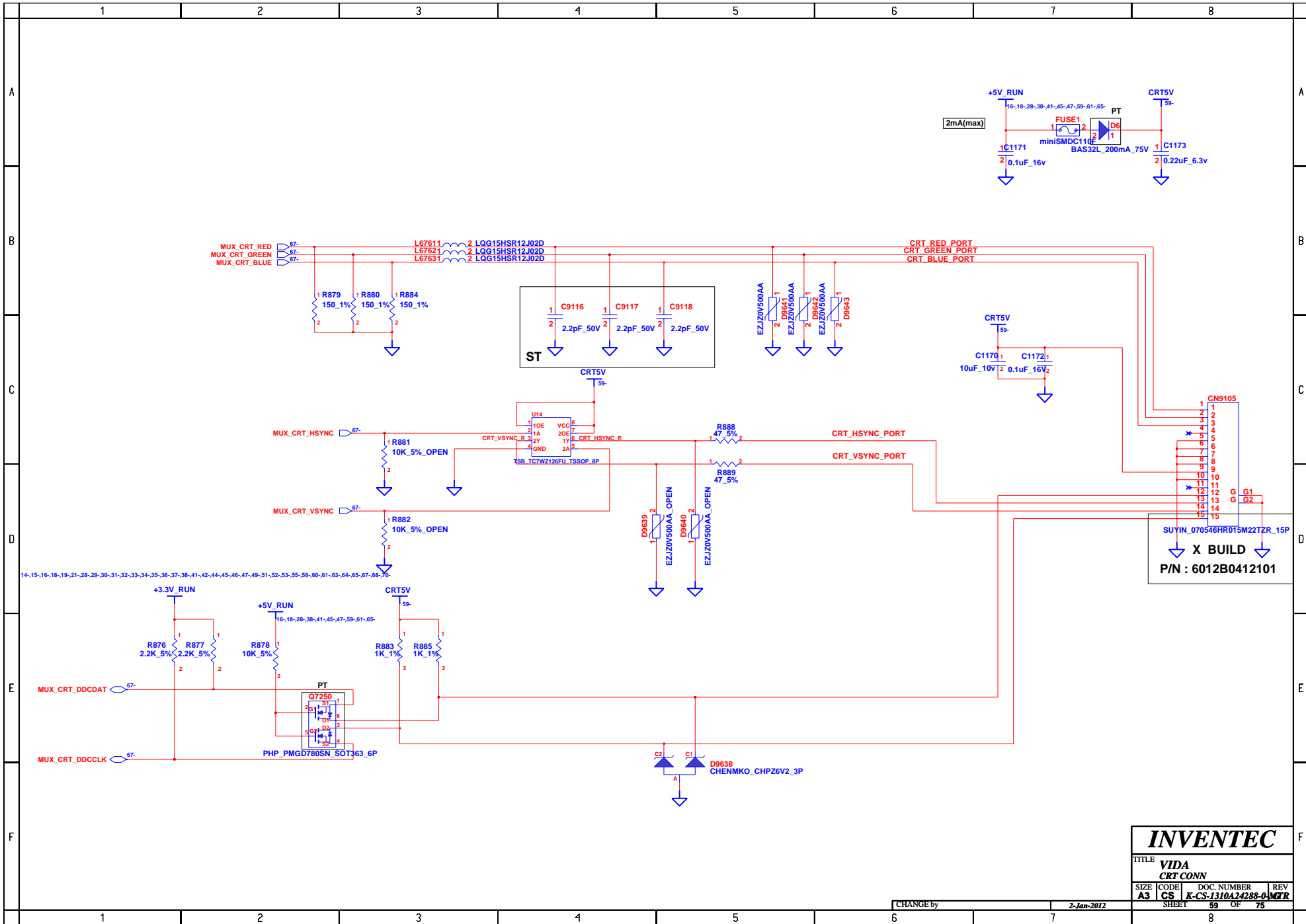


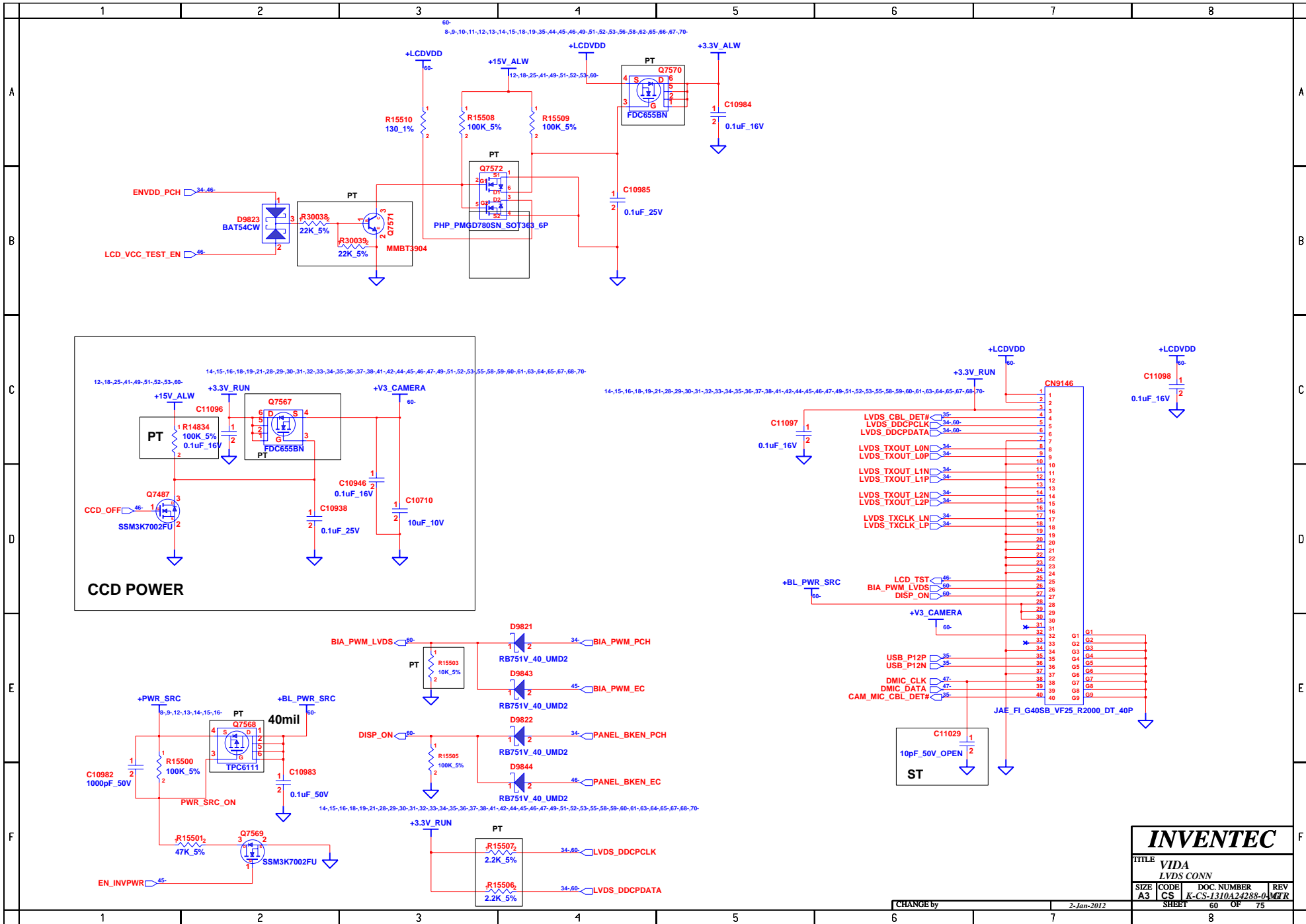
INVENTEC			
TITLE VIDA Boardcom2			
SIZE A3	CODE CS	DOC NUMBER K-CS-1310A24288-0	REV MGR
SHEET 57		OF 75	

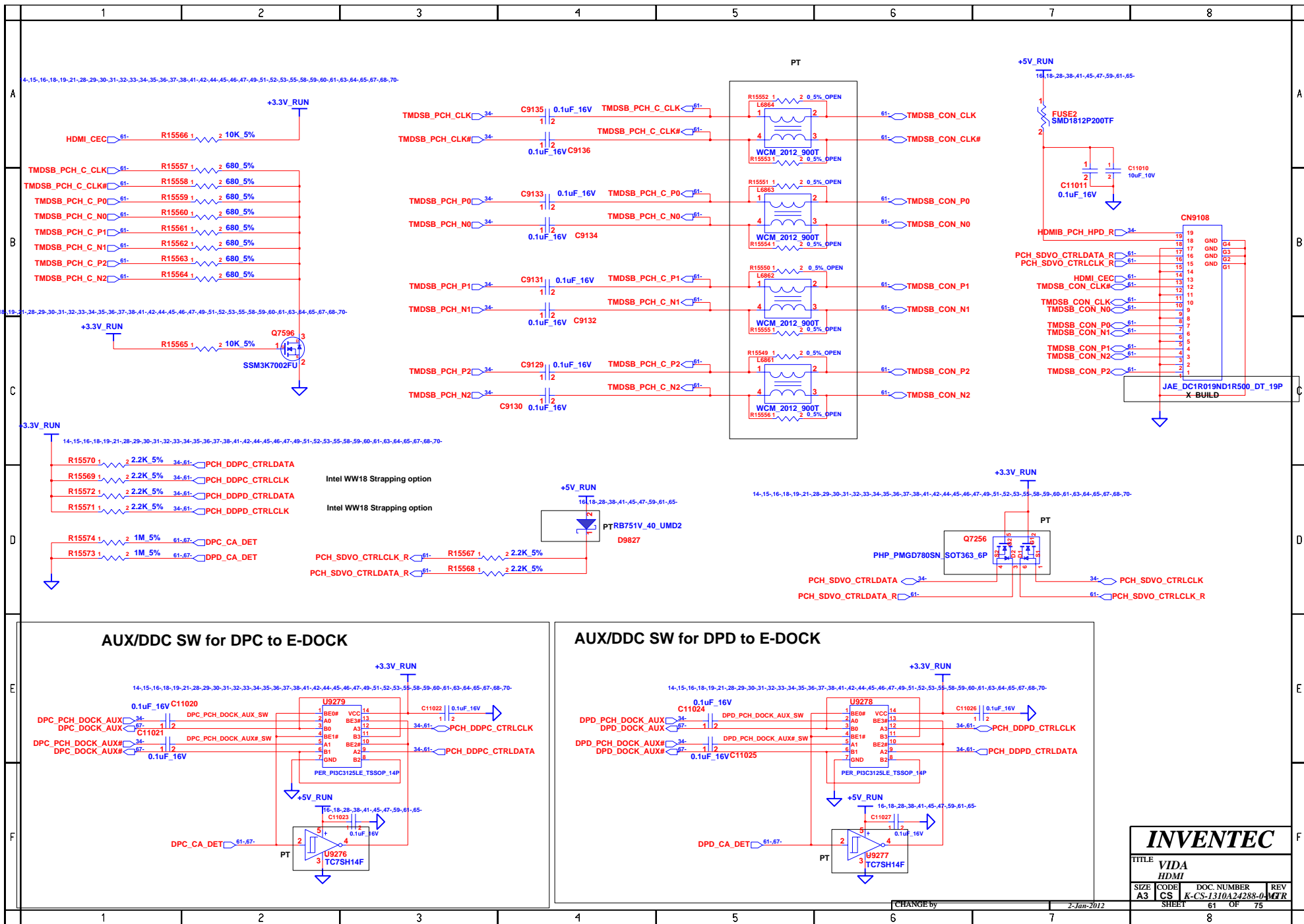
CHANGE by **2-Jan-2012**



INVENTEC			
TITLE VIDA			
FP			
SIZE A3	CODE CS	DOC. NUMBER K-CS-1310A24288-0	REV MGR
SHEET 58		OF 75	



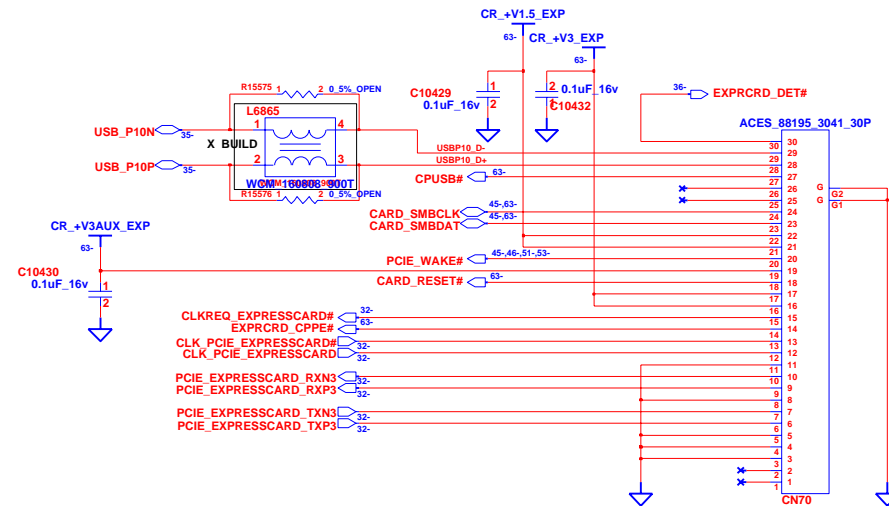
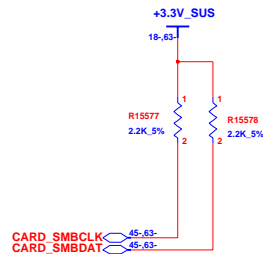


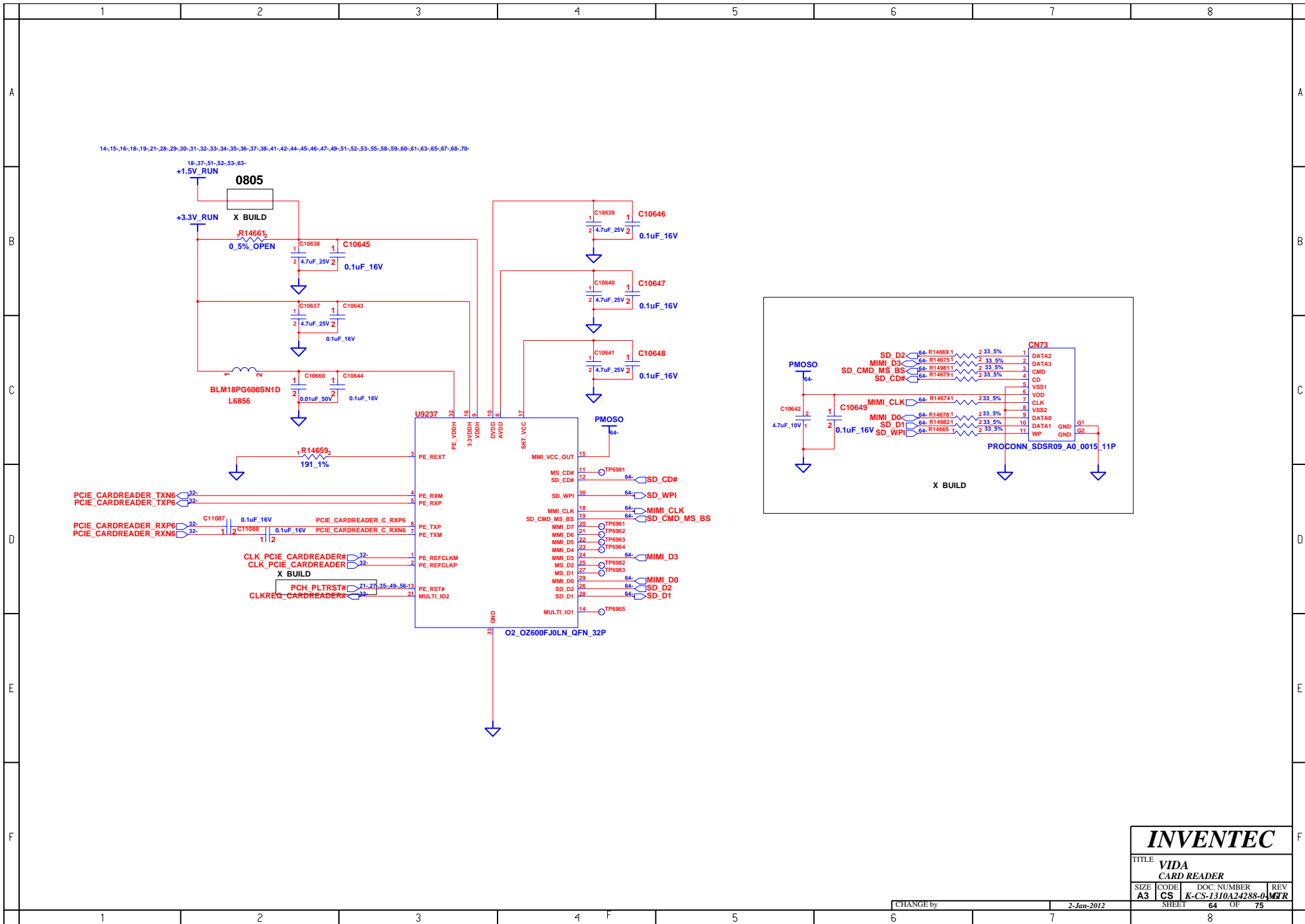


INVENTEC			
TITLE VIDA HDMI			
SIZE A3	CODE CS	DOC. NUMBER K-CS-1310A24288-0	REV MTR
SHEET 81		OF 75	

CHANGE by _____ 2-Jun-2012

EXPRESS CARD

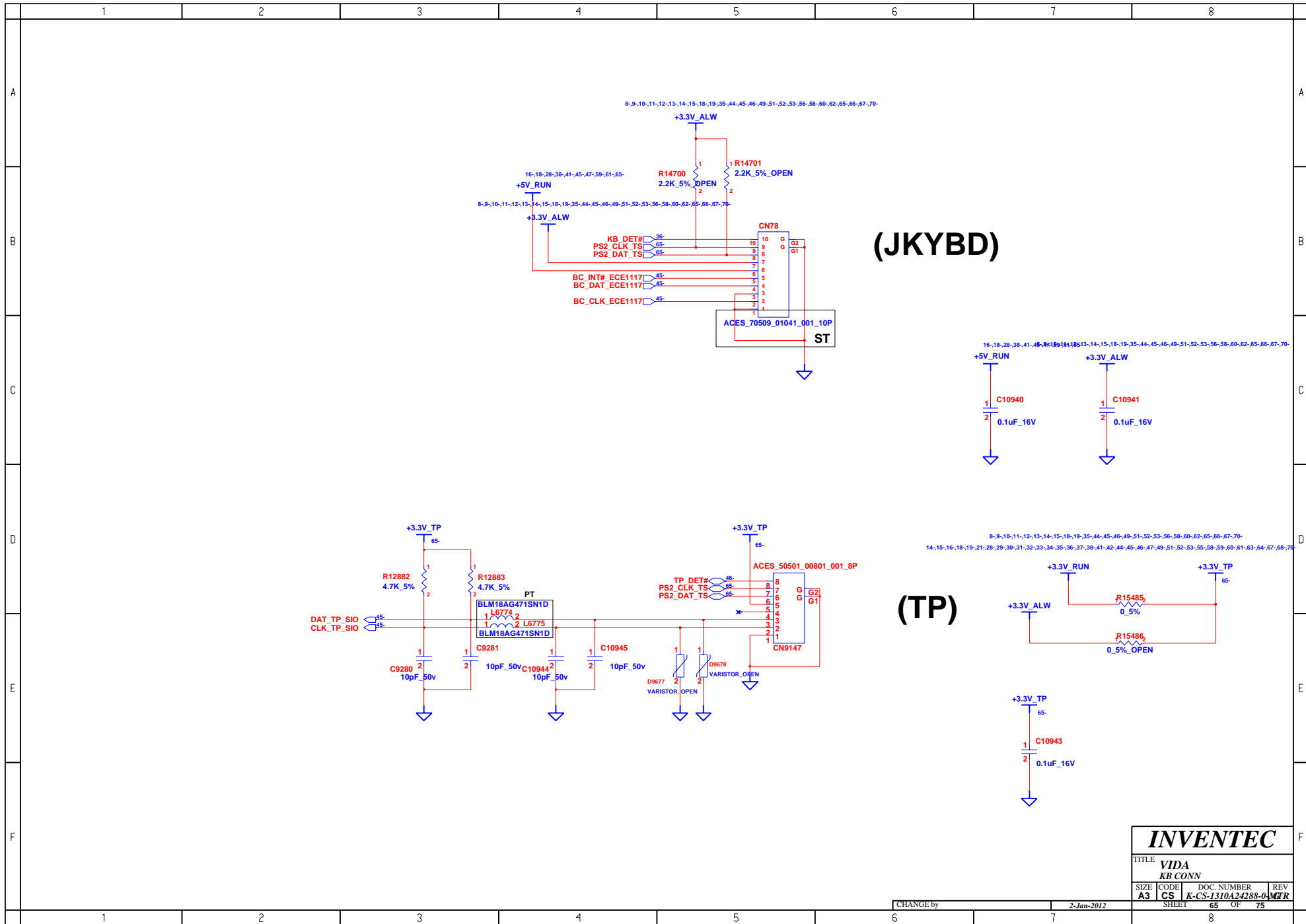




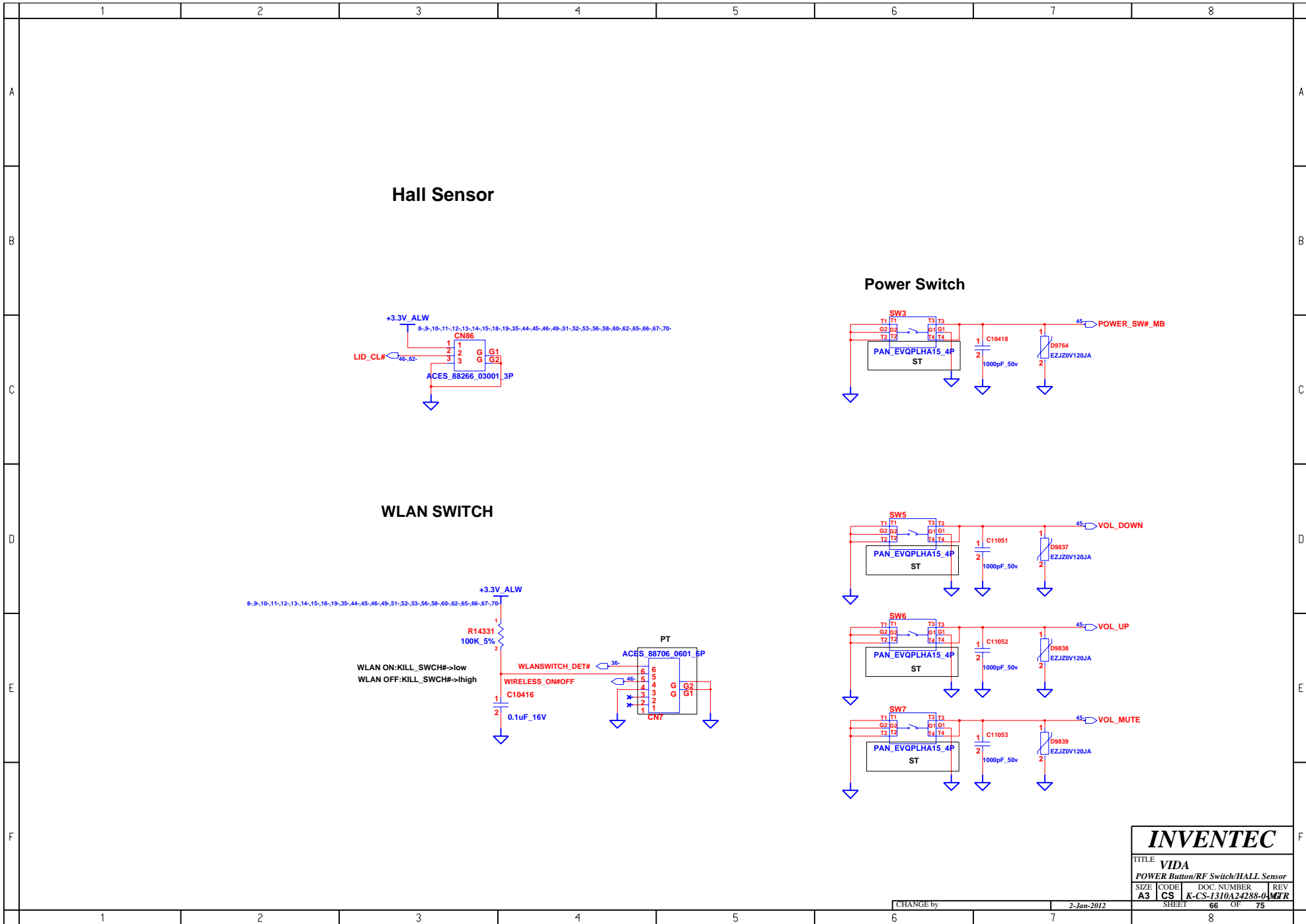
INVENTEC

TITLE VIDA CARD READER			
SIZE A3	CODE CS	DOC NUMBER K-CS-1310A24288-01	REV MGR
SHEET 64		OF 75	

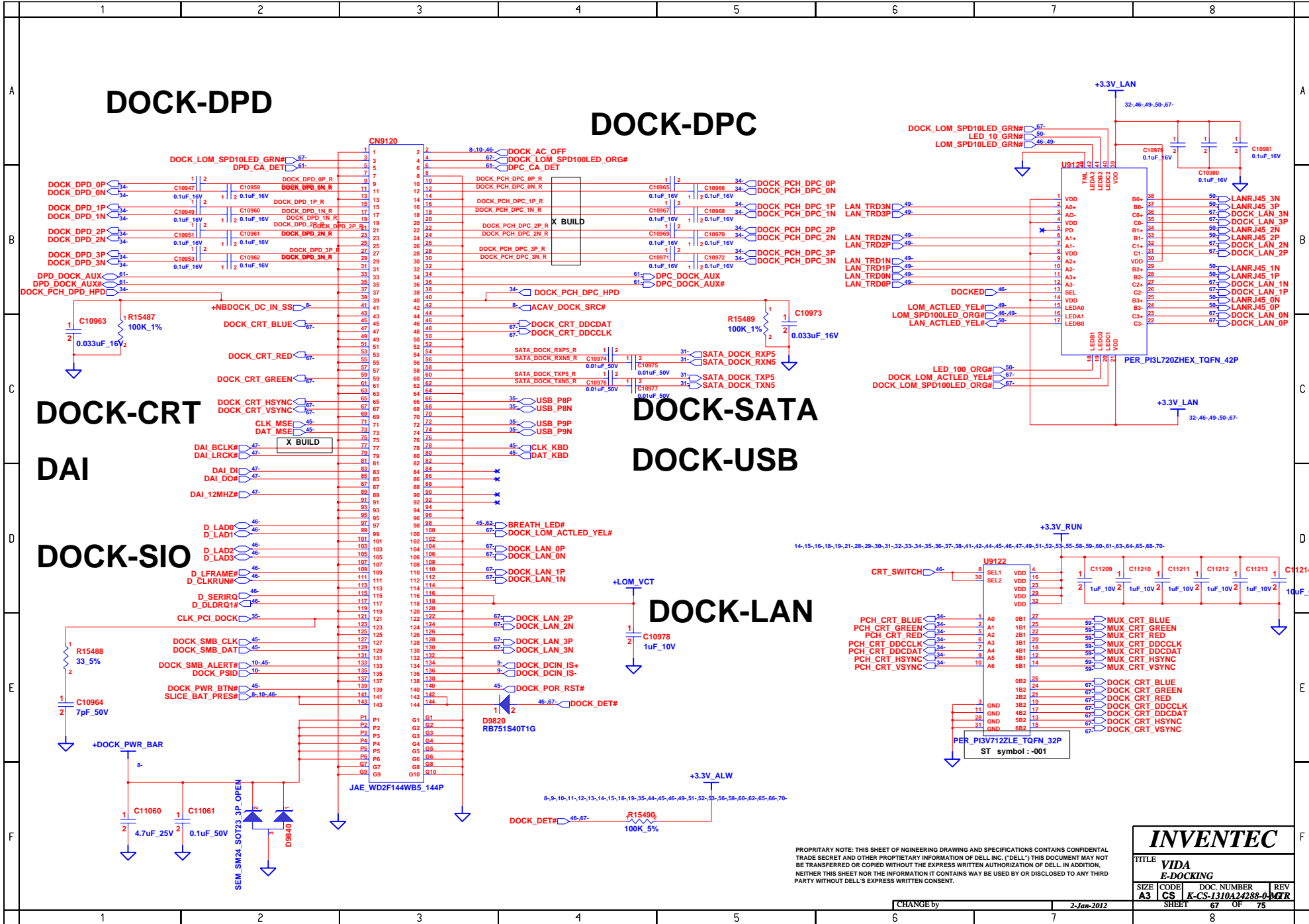
CHANGE by 2-Jan-2012



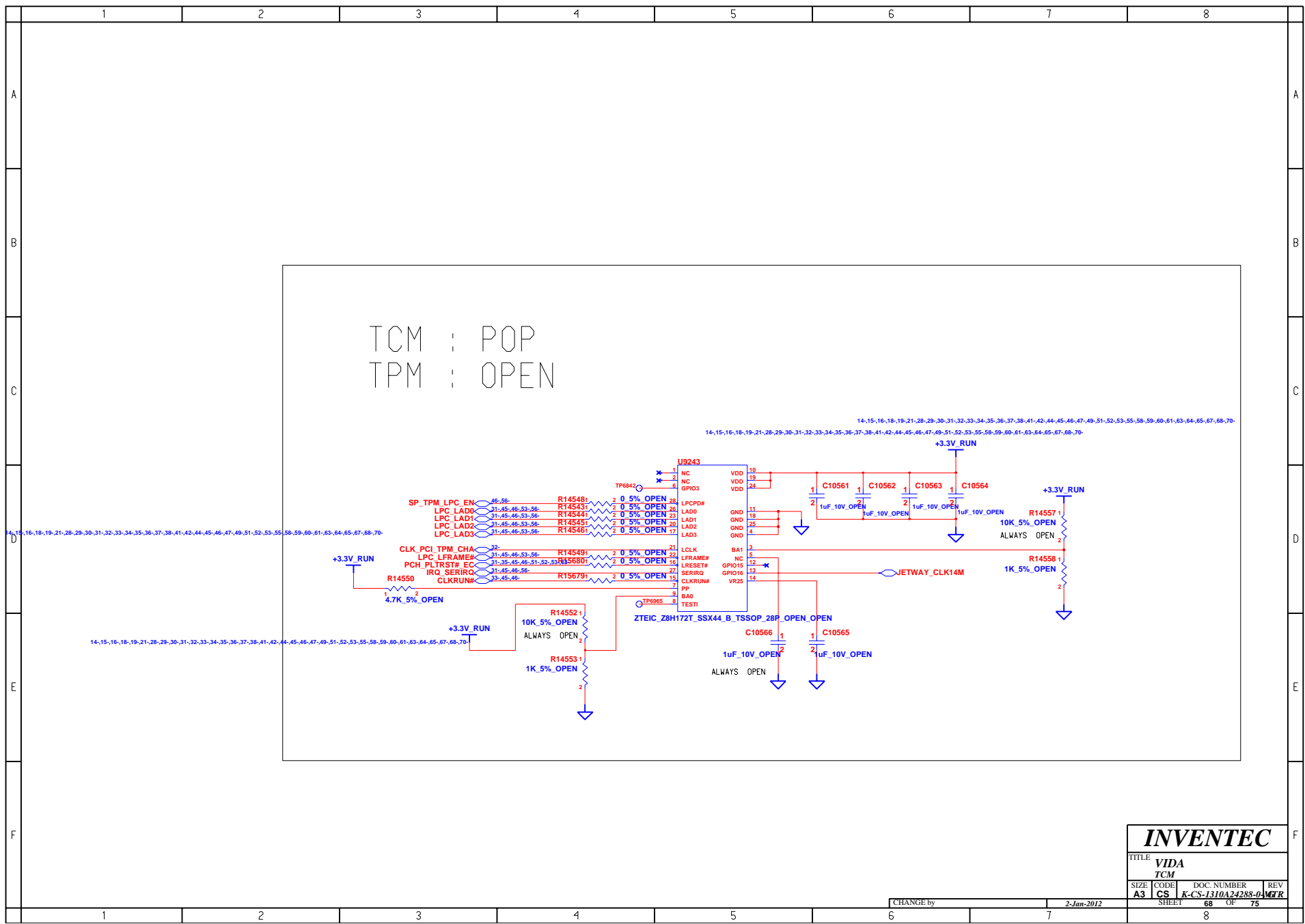
INVENTEC			
TITLE VIDA			
KB CONN			
SIZE A3	CODE CS	DOC. NUMBER K-CS-1310A24288-01	REV MGR
CHANGE by		2-Jan-2012	
SHEET		65 OF 75	



INVENTEC			
TITLE VIDA			
POWER Button/RF Switch/HALL Sensor			
SIZE A3	CODE CS	DOC. NUMBER K-CS-1310A24288-01	REV MGR
CHANGE by		2-Jan-2012	
SHEET		66	OF 75

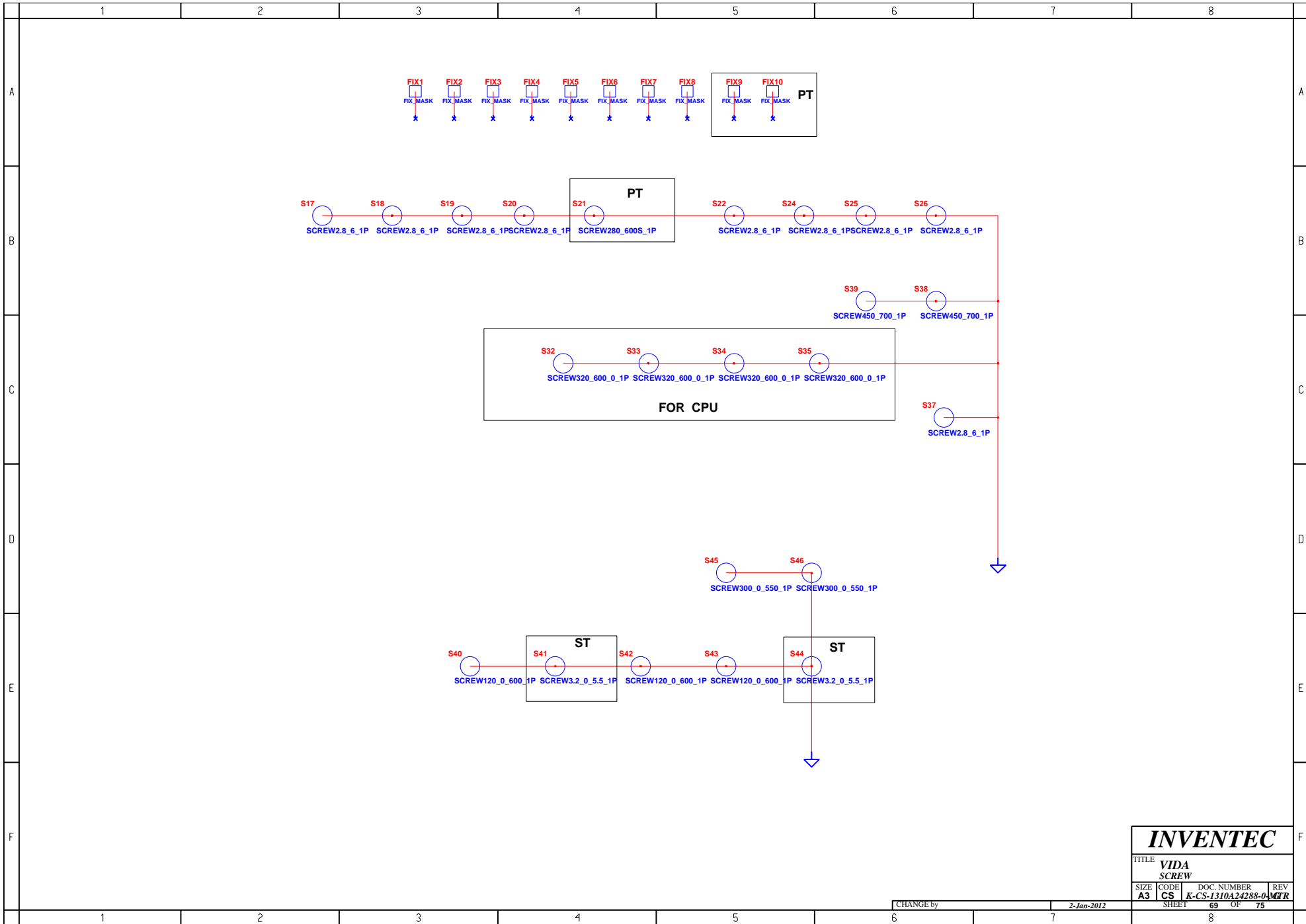


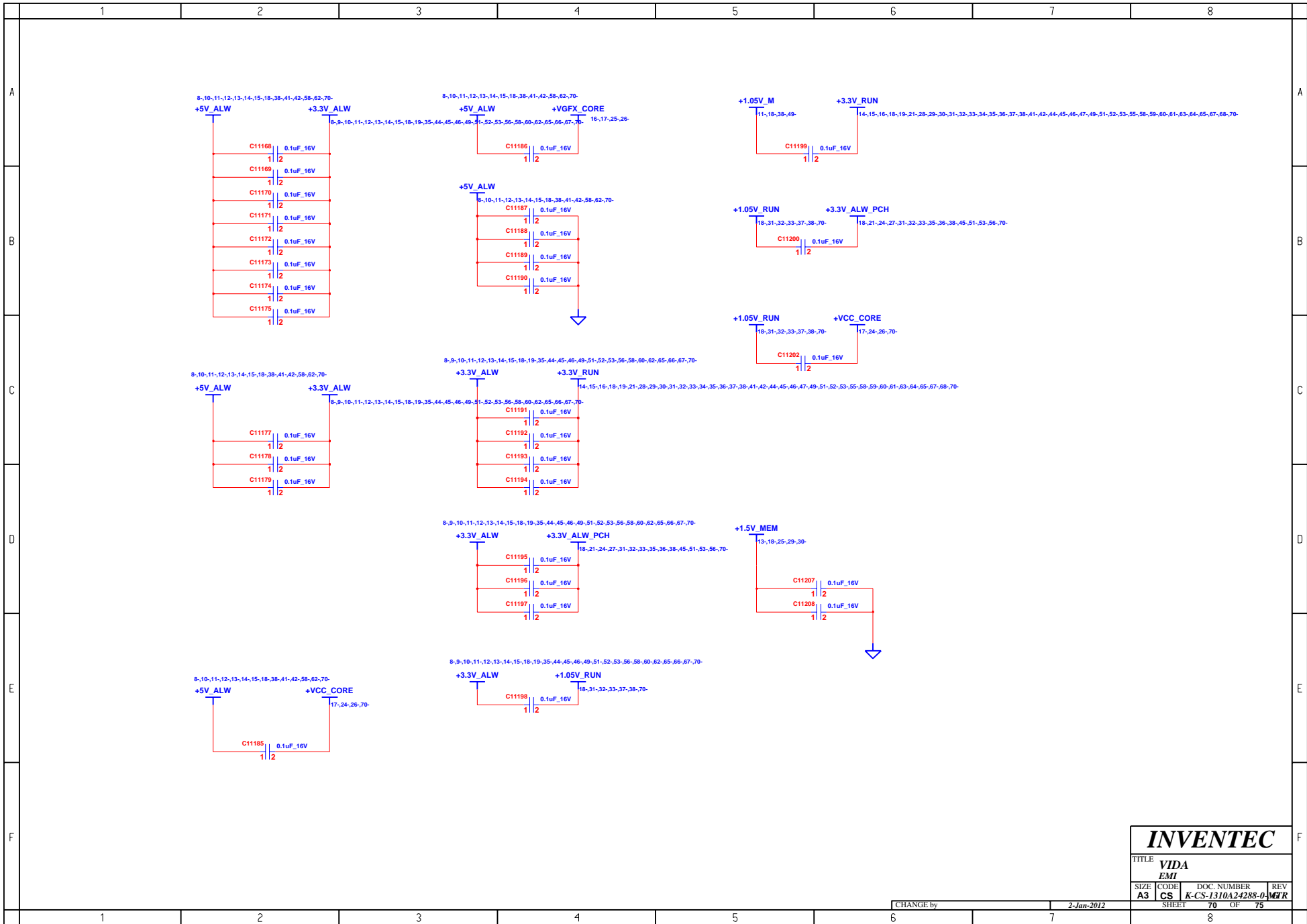
TCM : POP
TPM : OPEN



INVENTEC			
TITLE: VIDA			
TCM			
SIZE: A3	CODE: CS	DOC. NUMBER: K-CS-1310A24288-01	REV: 1
SHEET: 68		OF: 75	

CHANGE by: 2-Jan-2012





INVENTEC			
TITLE VIDA			
EMI			
SIZE	CODE	DOC. NUMBER	REV
A3	CS	K-CS-1310A24288-0	MTR
CHANGE by		2-Jun-2012	
SHEET		70	OF 75

VIDA_DB X BUILD

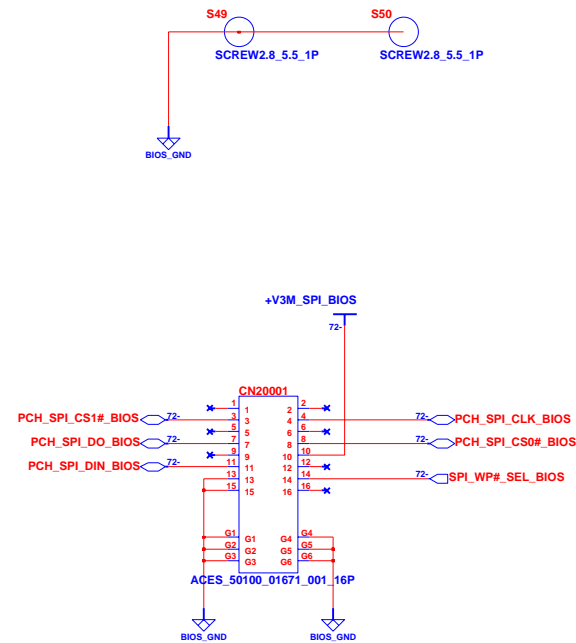
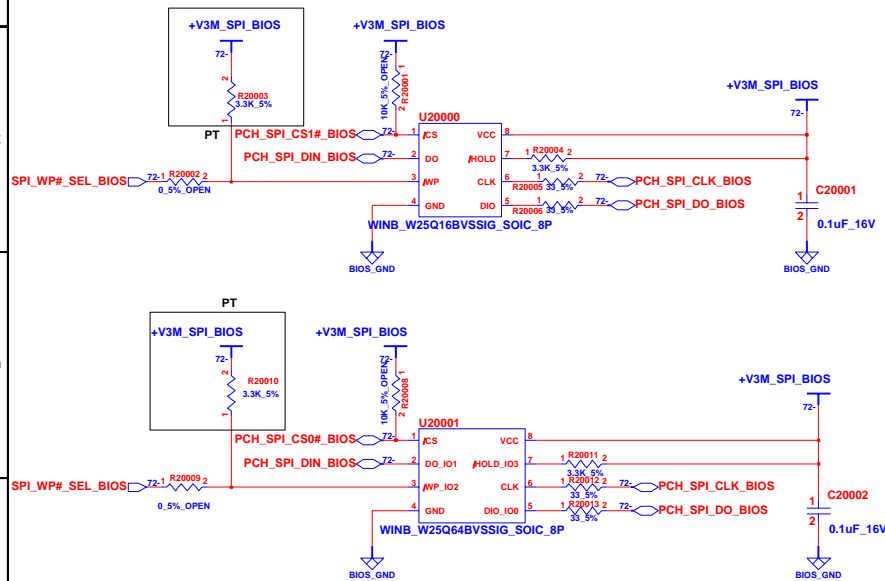
2010/12/29

DELL CONFIDENTIAL/PROPRIETARY

PROPRIETARY NOTE: THIS SHEET OF ENGINEERING DRAWING AND SPECIFICATIONS CONTAINS CONFIDENTIAL TRADE SECRET AND OTHER PROPRIETARY INFORMATION OF DELL INC. ("DELL") THIS DOCUMENT MAY NOT BE TRANSFERRED OR COPIED WITHOUT THE EXPRESS WRITTEN AUTHORIZATION OF DELL. IN ADDITION, NEITHER THIS SHEET NOR THE INFORMATION IT CONTAINS MAY BE USED BY OR DISCLOSED TO ANY THIRD PARTY WITHOUT DELL'S EXPRESS WRITTEN CONSENT.

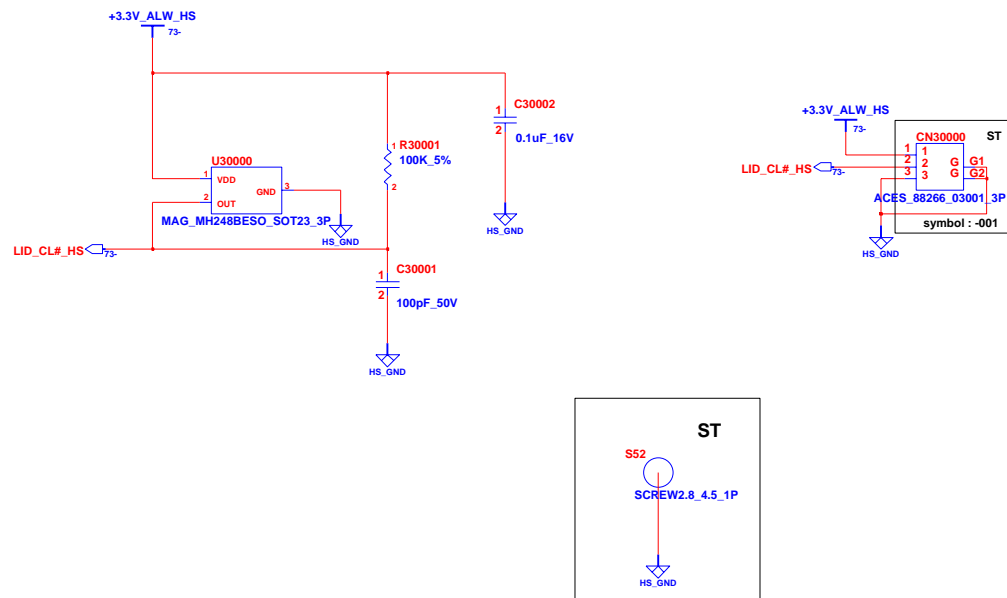
INVENTEC			
TITLE VIDA			
SIZE A3	CODE CS	DOC. NUMBER K-CS-1310A24288-01	REV MGR
CHANGE by		2-Jan-2012	
SHEET		71	OF 75

BIOS BOARD



INVENTEC			
TITLE VIDA <i>BIOS board</i>			
SIZE A3	CODE CS	DOC. NUMBER K-CS-1310A24288-0	REV MGR
CHANGE by		2-Jan-2012	
SHEET		72 OF 75	

HALLSENSOR BOARD

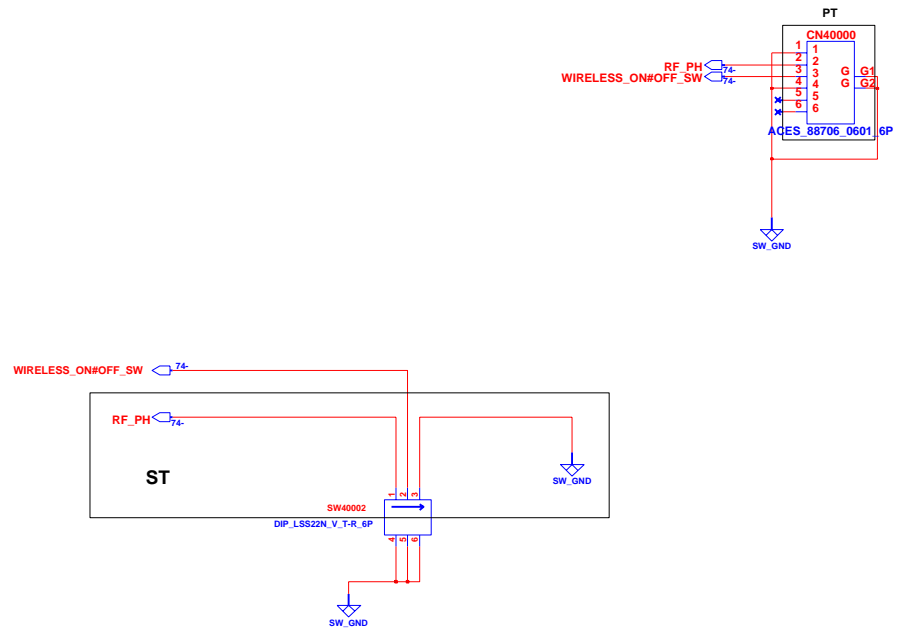


INVENTEC

TITLE			
VIDA			
HALLSENSOR_B			
SIZE	CODE	DOC. NUMBER	REV
A3	CS	K-CS-1310A24288-0	MGR
SHEET		73	OF 75

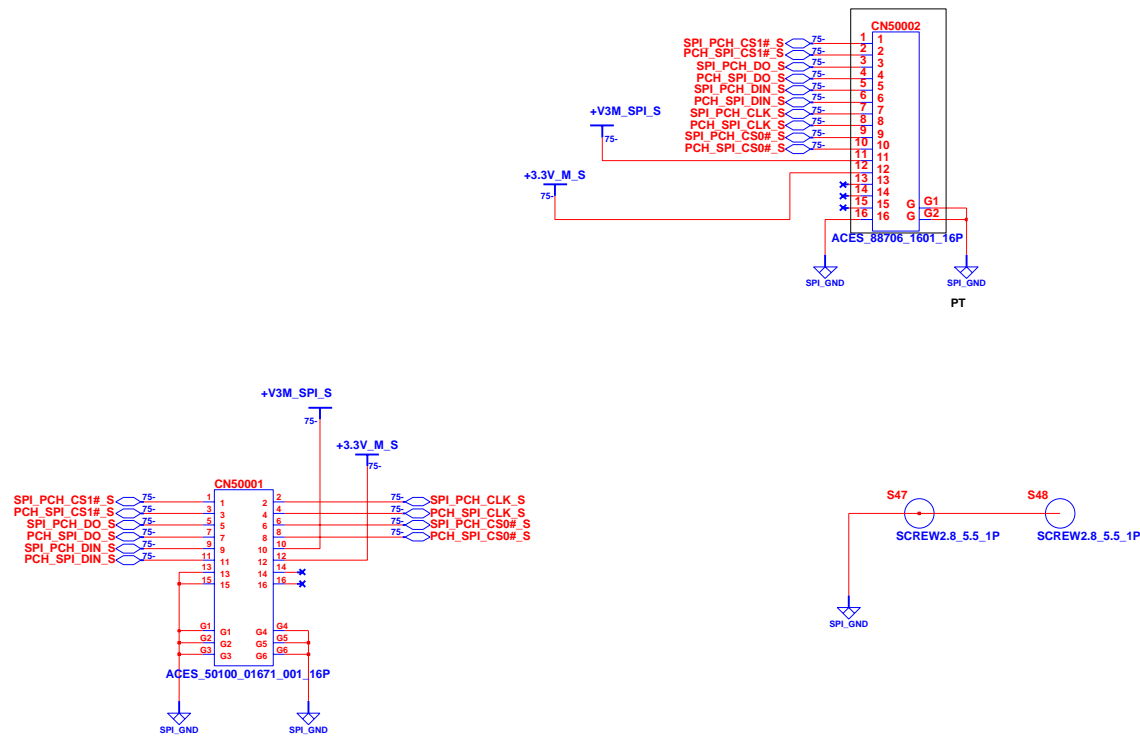
CHANGE by 2-Jan-2012

WLAN SW BOARD



INVENTEC			
TITLE VIDA			
WLAN_B			
SIZE A3	CODE CS	DOC. NUMBER K-CS-1310A24288-0	REV MGR
CHANGE by		2-Jan-2012	
SHEET		74	OF 75

SPI BOARD



INVENTEC

TITLE VIDA SPI BOARD			
SIZE A3	CODE CS	DOC. NUMBER K-CS-1310A24288-01	REV MGR
CHANGE by		2-Jan-2012	SHEET 75 OF 75