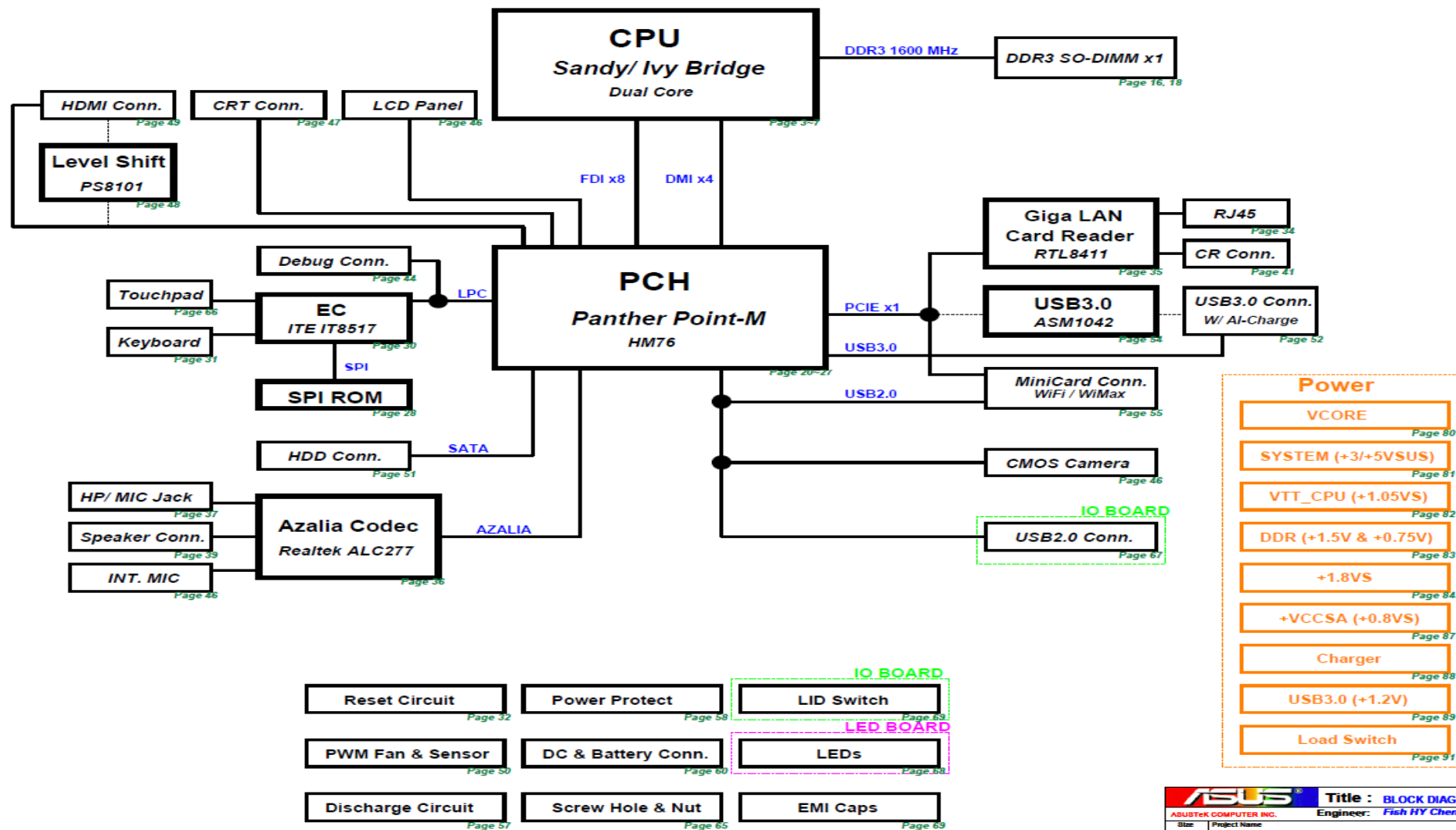


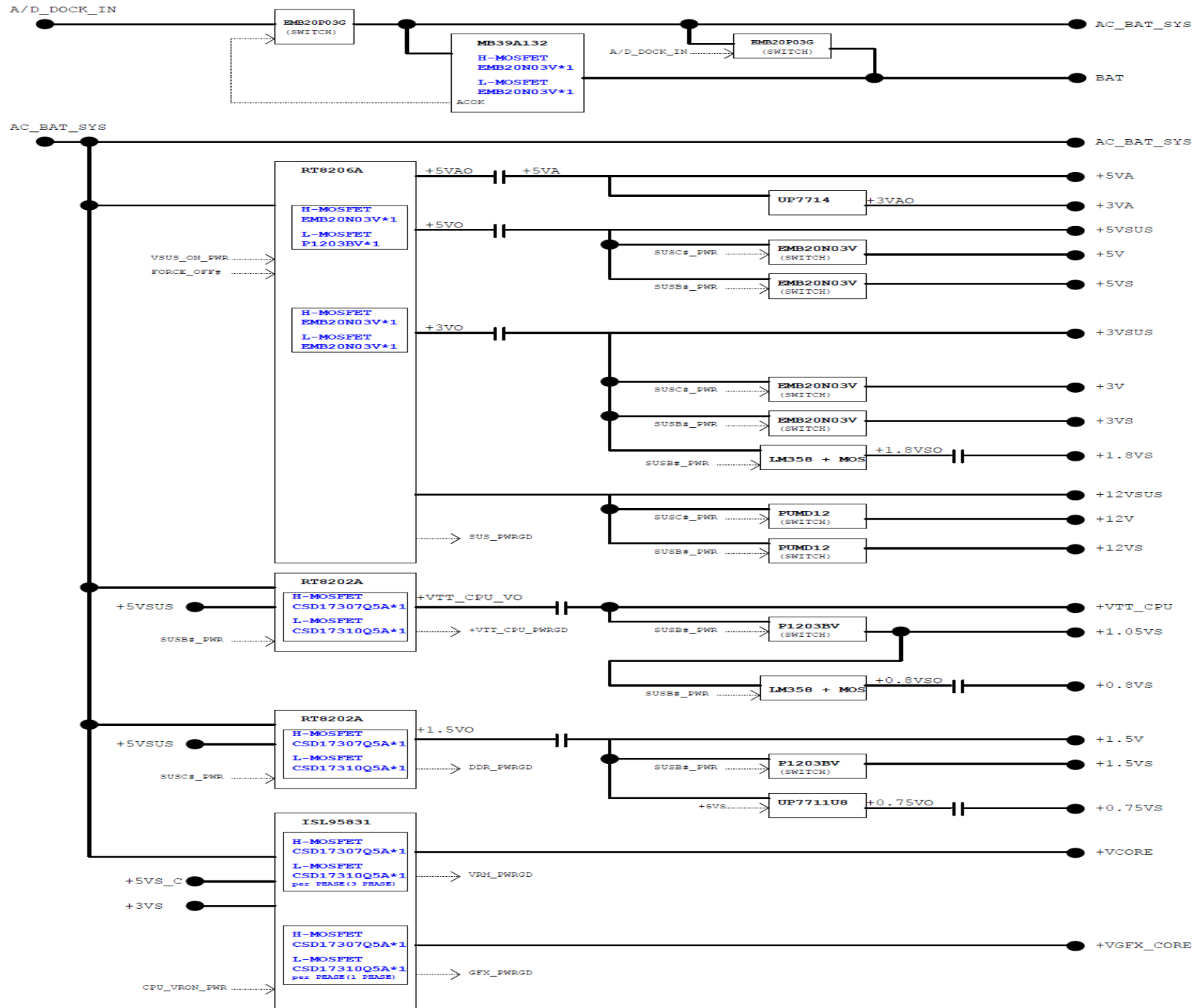
X401A Repair Guide

X401A BLOCK DIAGRAM

Rev: 2.0



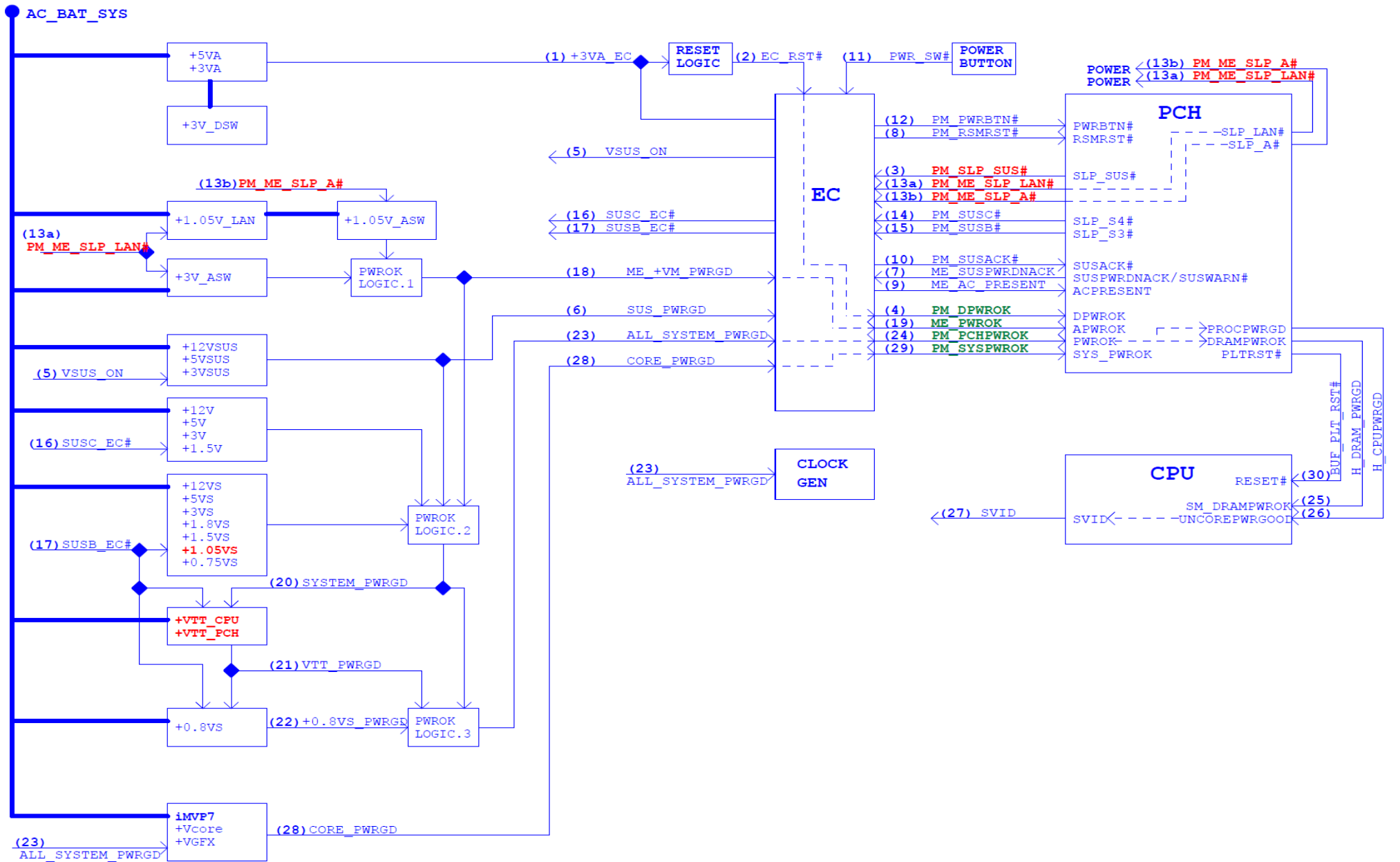
POWER FLOW



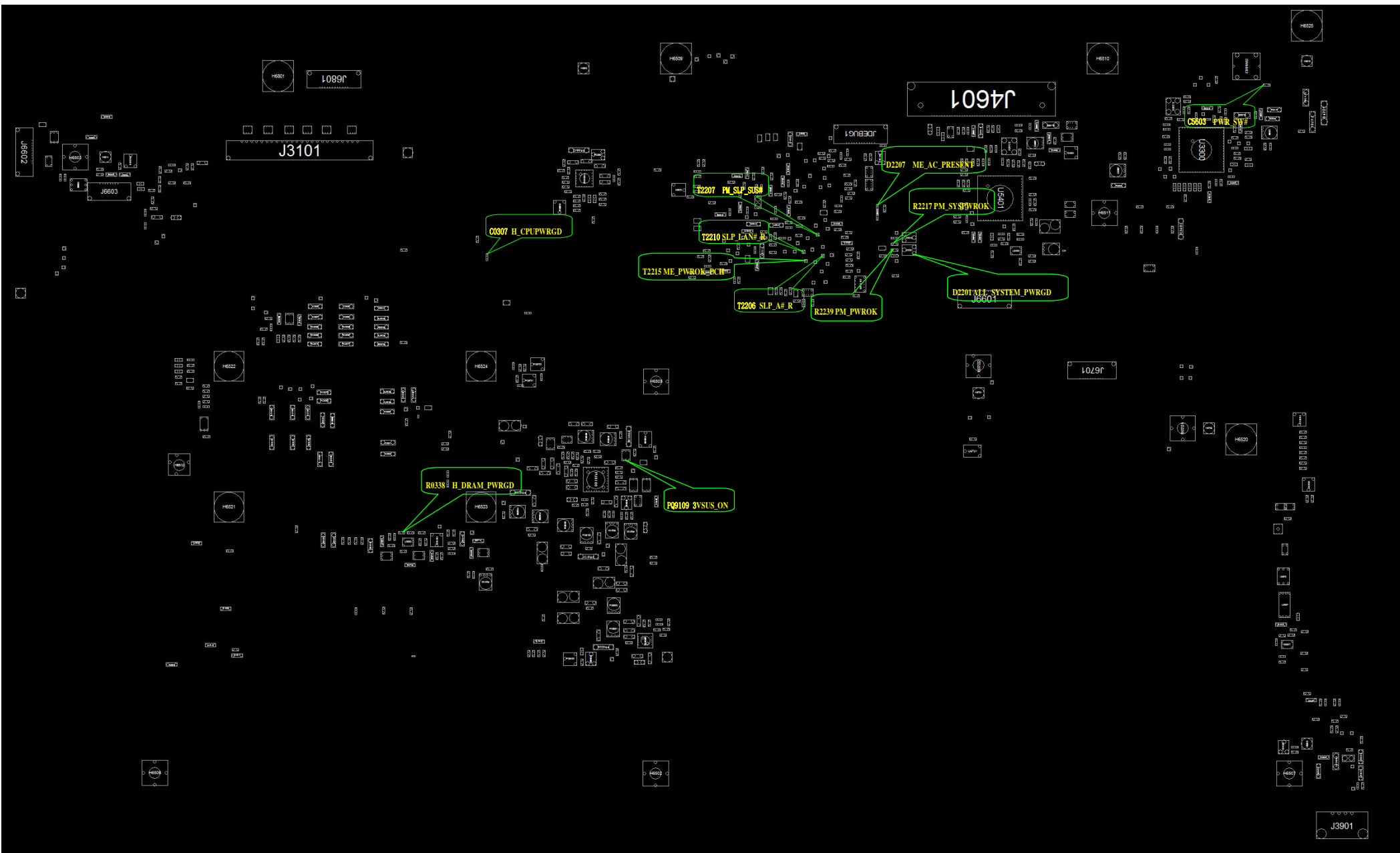
POWER ON SEQUENCE

U53 Power On Sequence Diagram Rev.0.14

AC-IN Mode



Voltage & Signal Measure Point TOP



Voltage & Signal Measure Point Bottom

